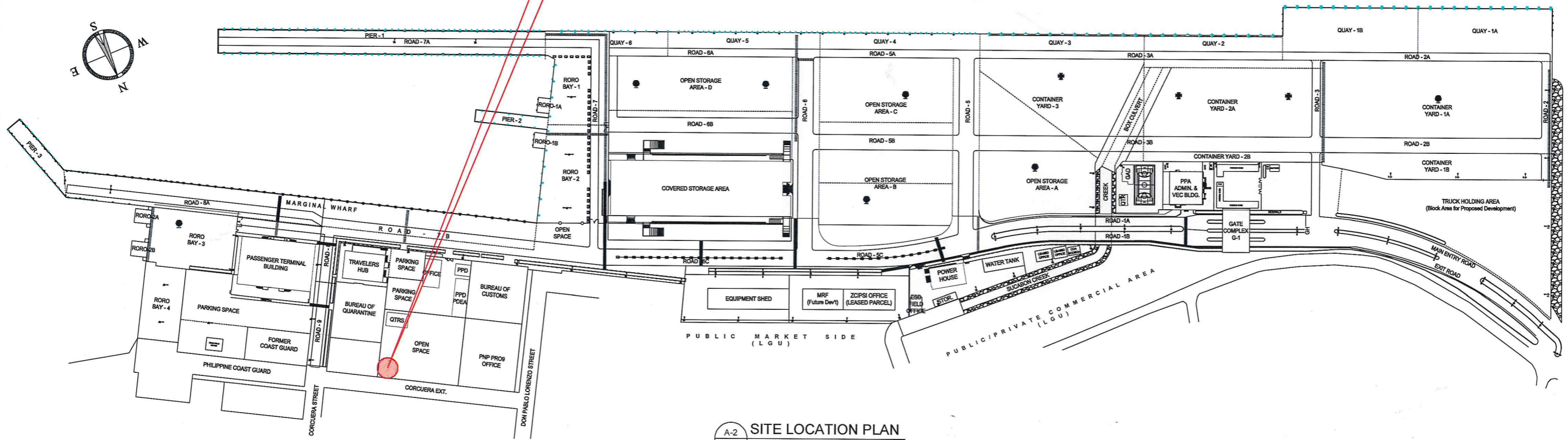




A-1 PERSPECTIVE VIEWS
SHT1 NTS

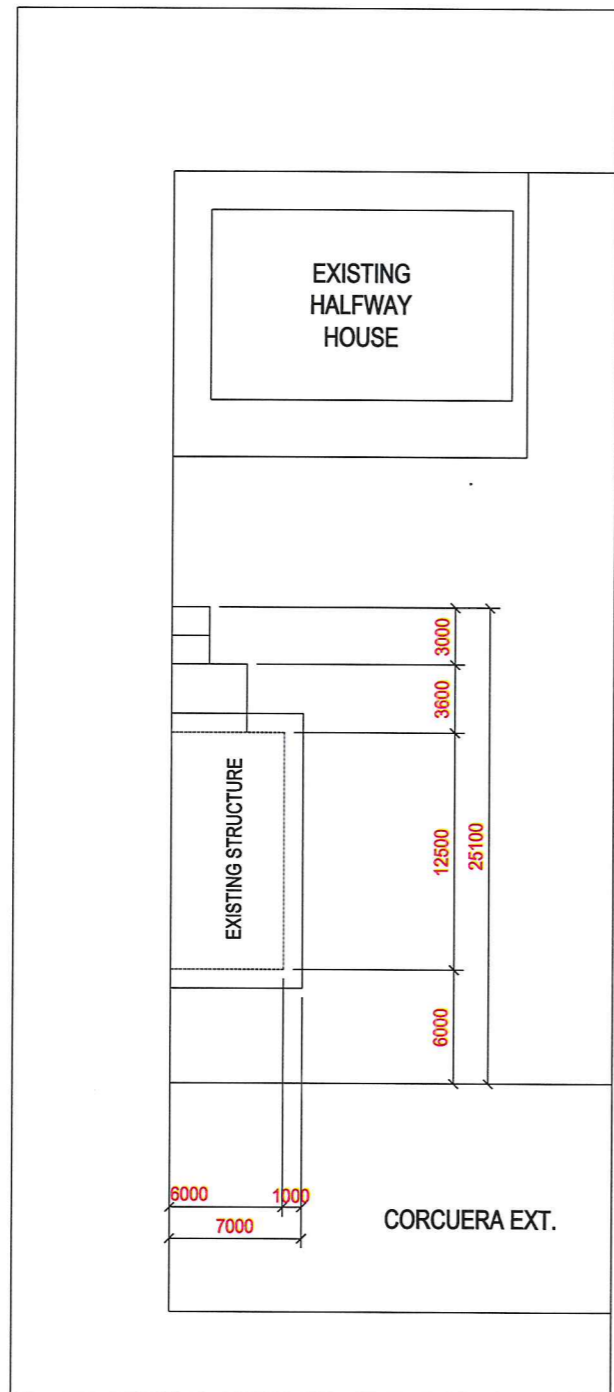
THIS SITE
IMPROVEMENT OF TINDAHAN (8-UNIT VENDOR STALLS) NI PAPS SA PANTALAN, AT HALFWAY HOUSE COMPOUND, PORT AREA, PORT OF ZAMBOANGA, ZAMBOANGA CITY



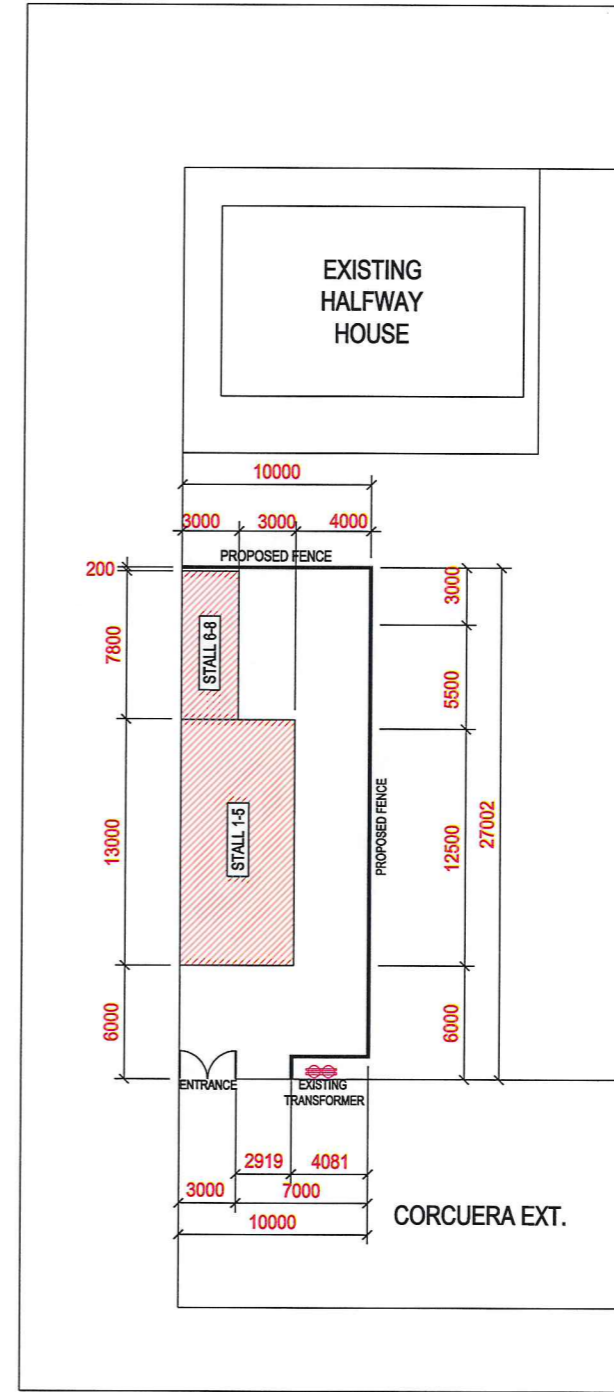
A-2 SITE LOCATION PLAN
SHT1 SCALE 1:3000



TITLE: IMPROVEMENT OF TINDAHAN (8-UNIT VENDOR STALLS) NI PAPS SA PANTALAN		SHEET CONTENT:		SHEET	
LOCATION: HALFWAY HOUSE COMPOUND, PORT AREA, PORT OF ZAMBOANGA, ZAMBOANGA CITY		<ul style="list-style-type: none"> SITE LOCATION PLAN PERSPECTIVES 		SET	NO.
PREPARED BY: <i>Evenissa F. Dela Merced</i>	CHECKED BY: <i>Eugenio B. Galvez</i>				1
REVIEWED BY: <i>Mahson S. Ukko</i>	RECOMMENDED BY: <i>Tashma H. Asid-Maadil</i>				9
ARCHITECT A: EVENISSA F. DELA MERCED	ACTING SUPERVISING ENGINEER A: EUGENIO B. GALVEZ	ACTING PRINCIPAL ENGINEER A: MAHSON S. UKKOH	ACTING ESD MANAGER: TASHMA H. ASID-MAADIL	PORT MANAGER: ARCIDIS S. JUMAANI	



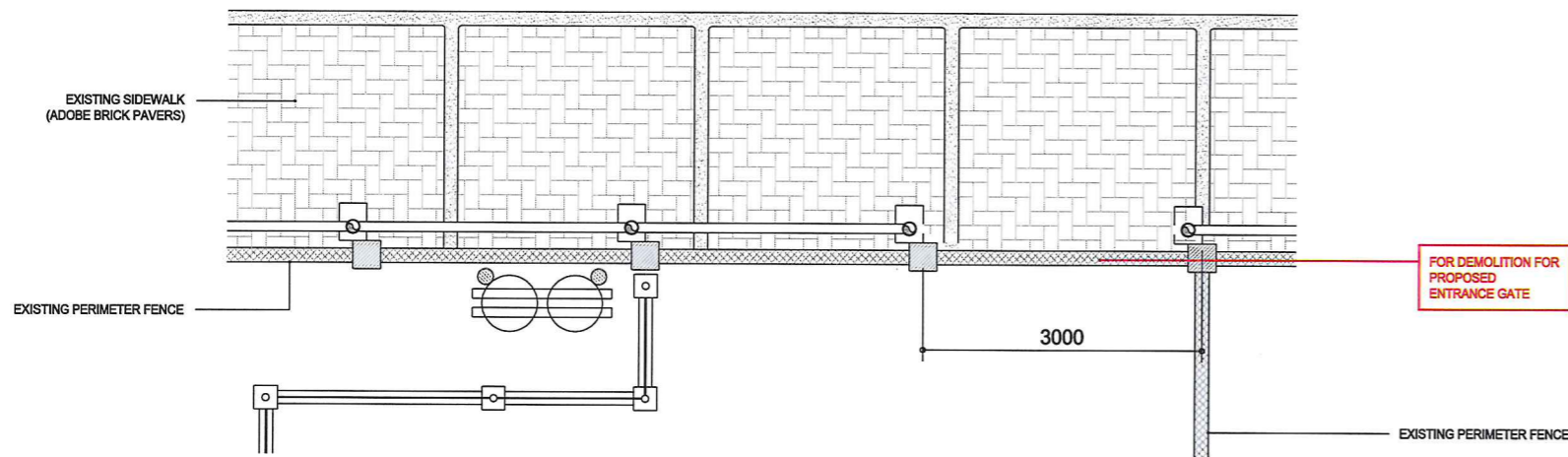
A-3 EXISTING SITE PLAN
SHT2 SCALE 1:400



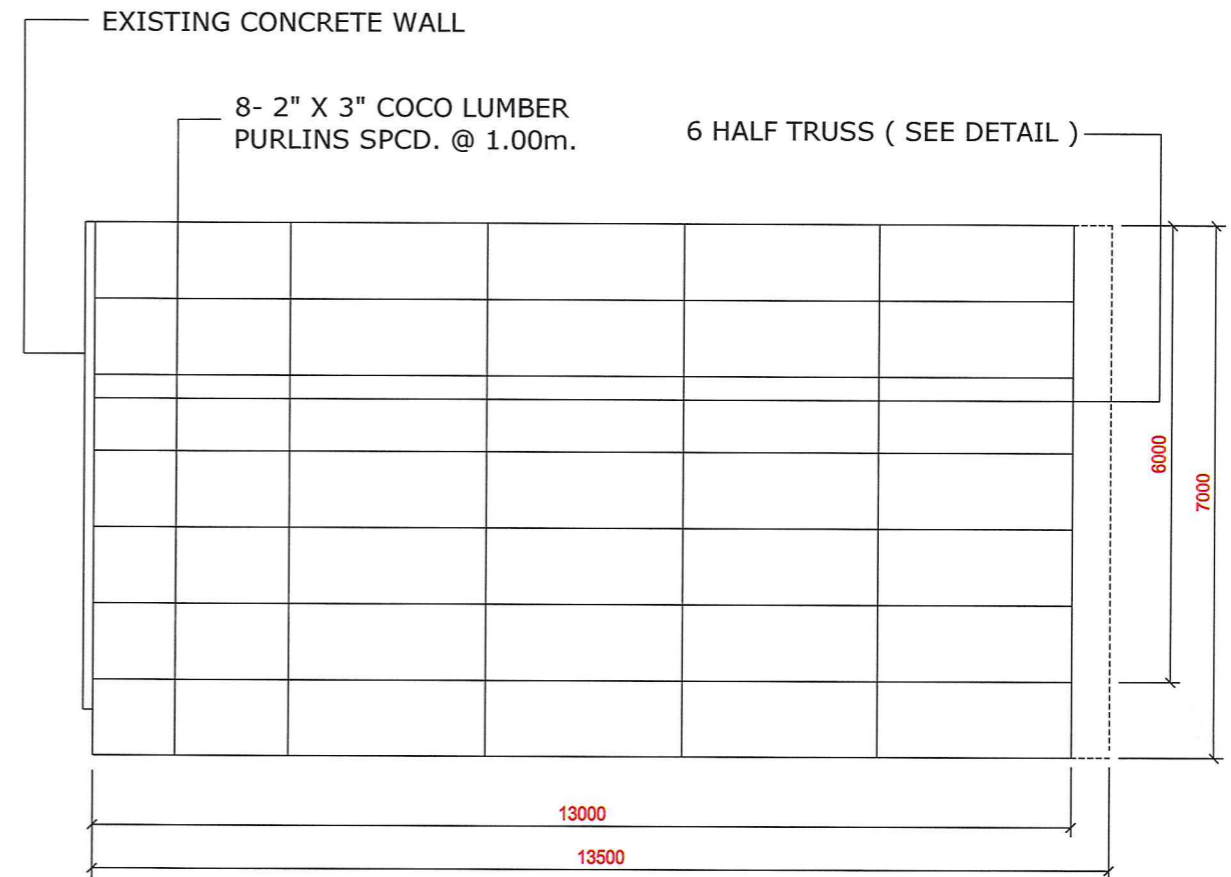
A-4 PROPOSED SITE DEVELOPMENT PLAN
SHT2 SCALE 1:400



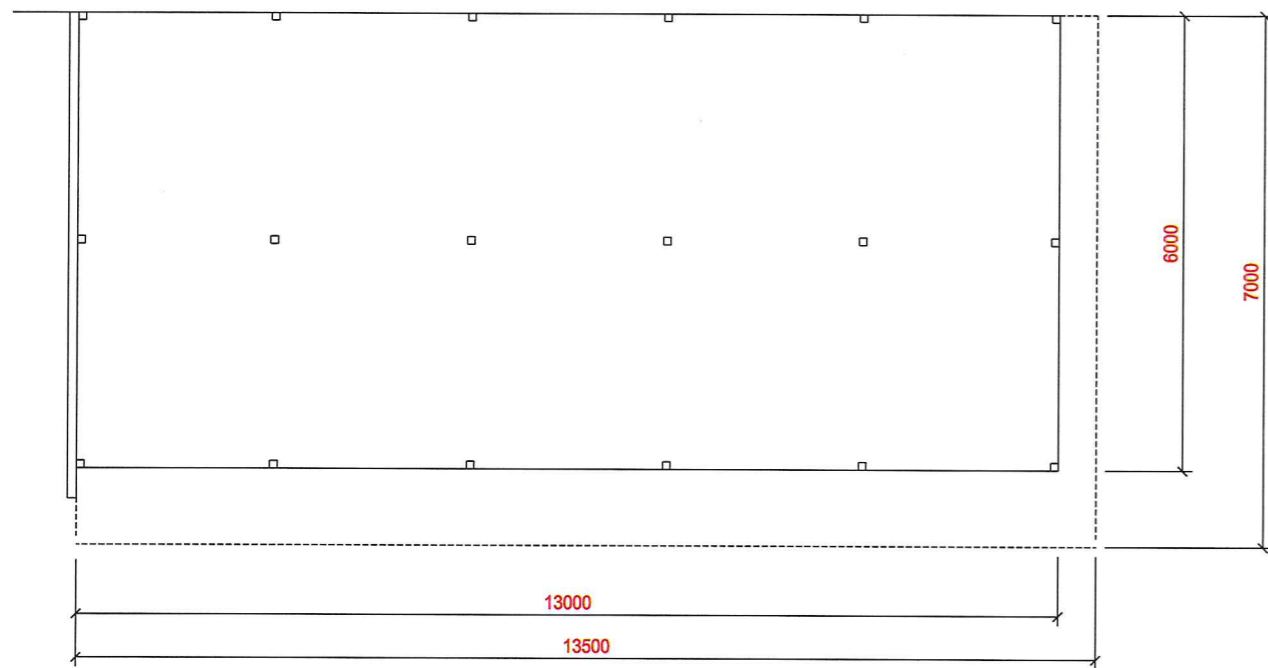
TITLE:	IMPROVEMENT OF TINDAHAN (8-UNIT VENDOR STALLS) NI PAPS SA PANTALAN				SHEET CONTENT:	SHEET	
LOCATION:	HALFWAY HOUSE COMPOUND, PORT AREA, PORT OF ZAMBOANGA, ZAMBOANGA CITY					SET	NO.
PREPARED BY:	CHECKED BY:	REVIEWED BY:	RECOMMENDED BY:	APPROVED BY:	<ul style="list-style-type: none"> EXISTING SITE PLAN PROPOSED SITE DEVELOPMENT PLAN 		2
EVENISSA F. DELA MERCED	EUGENIO B. GALVEZ	MAHSON S. UKKOH	TASHMA H. ASID-MAADIL	ARCIDI S. JUMAANI			9
ARCHITECT A	ACTING SUPERVISING ENGINEER A	ACTING PRINCIPAL ENGINEER A	ACTING ESD MANAGER	PORT MANAGER			



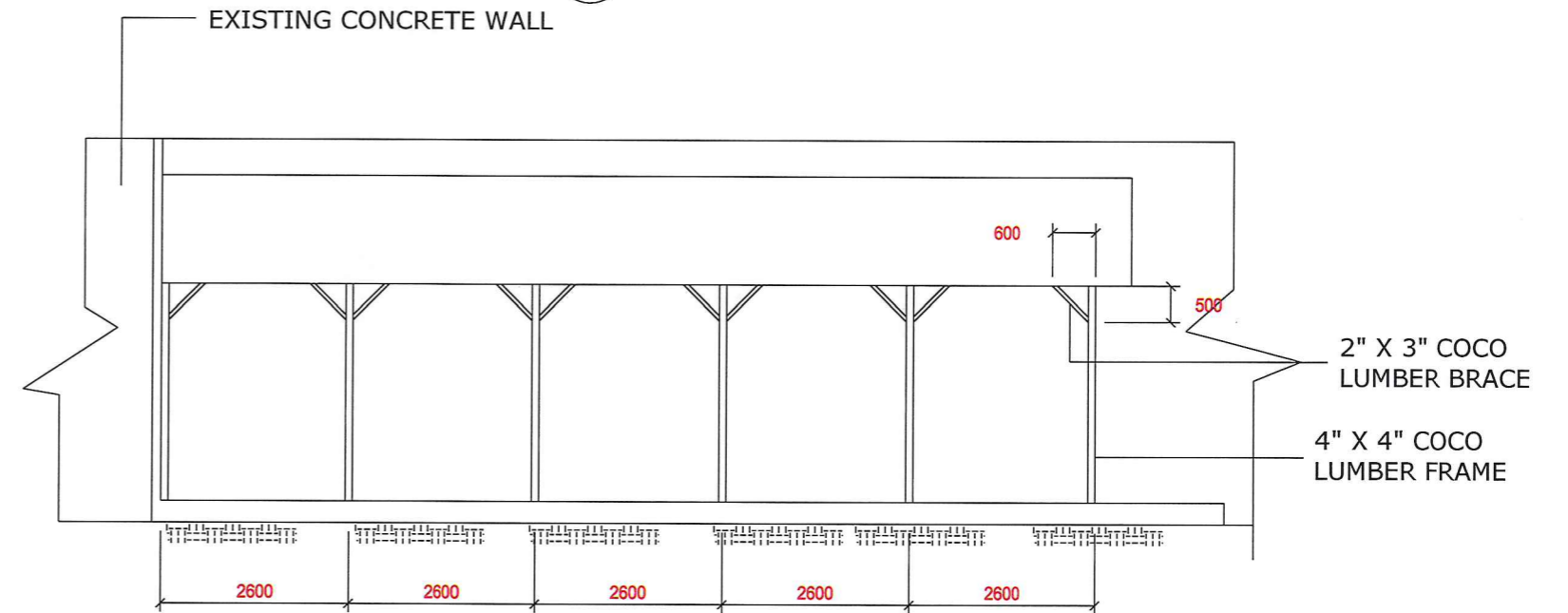
A-5 DEMOLITION PLAN
SHT3 SCALE 1:80



4 ROOF FRAMING PLAN "A"
Scale: 1:100 M



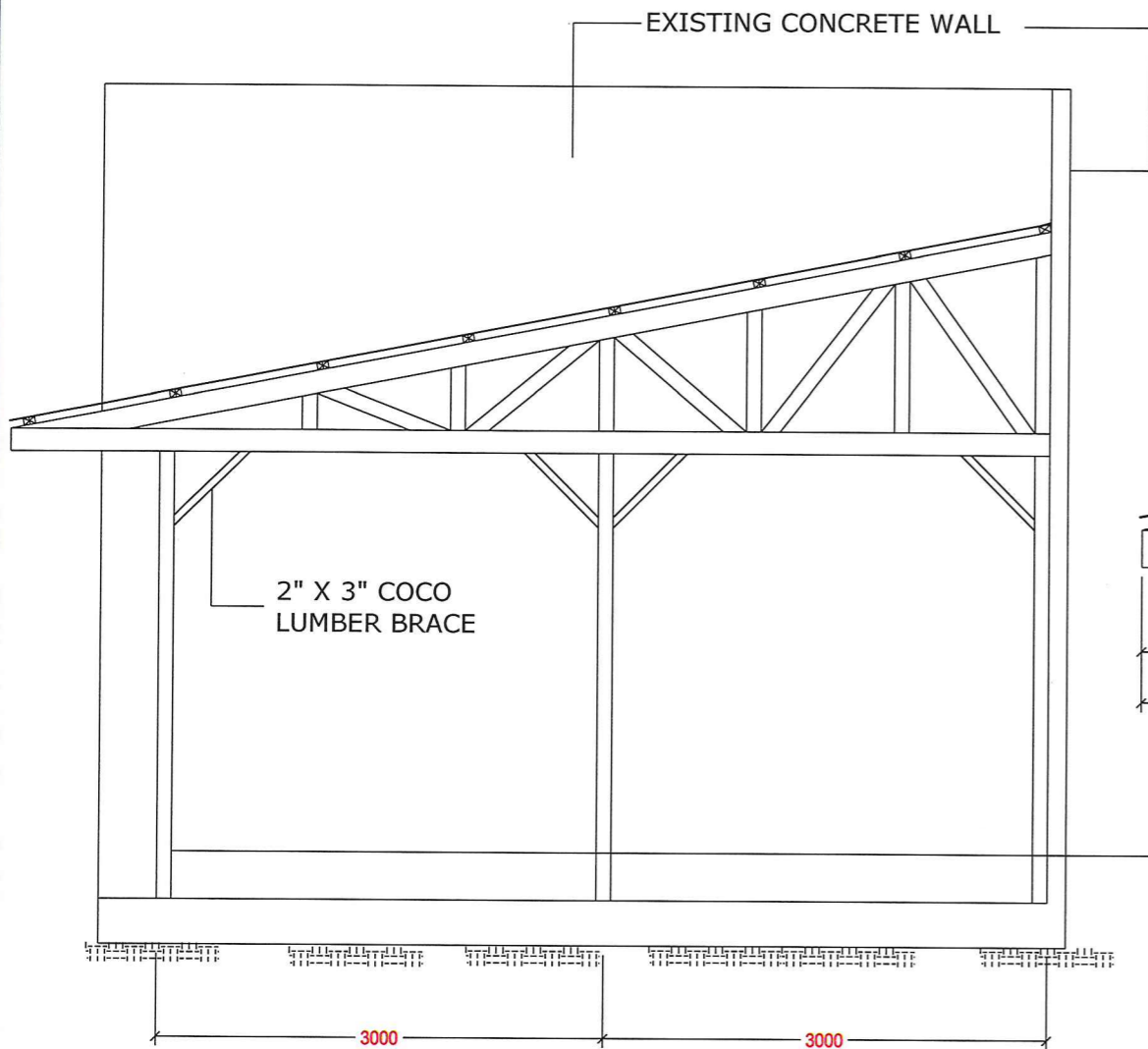
3 FLOOR PLAN "A"
Scale: 1:100 M



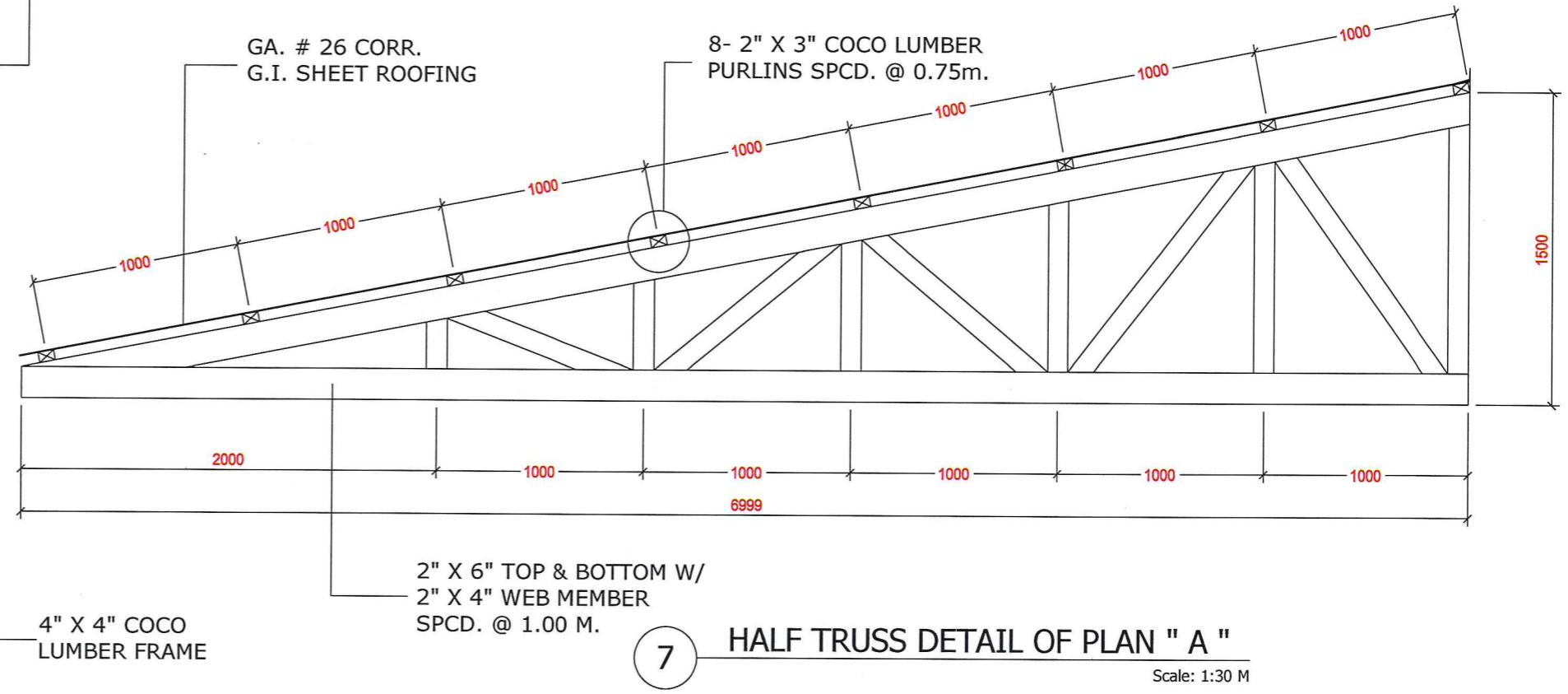
5 FRONT ELEVATION PLAN "A"
Scale: 1:100 M

A-6 EXISTING DETAIL
SHT3 SCALE 1:100

TITLE: IMPROVEMENT OF TINDAHAN (8-UNIT VENDOR STALLS) NI PAPS SA PANTALAN		SHEET CONTENT:			SHEET	
LOCATION: HALFWAY HOUSE COMPOUND, PORT AREA, PORT OF ZAMBOANGA, ZAMBOANGA CITY		• DEMOLITION PLAN		SET	NO.	
PREPARED BY: EVENISSA F. DELA MERCED ARCHITECT A	CHECKED BY: EUGENIO B. GALVEZ ACTING SUPERVISING ENGINEER A	REVIEWED BY: MAHSON S. UKKOH ACTING PRINCIPAL ENGINEER A	RECOMMENDED BY: TASHMA H. ASID-MAADIL ACTING ESD MANAGER	APPROVED BY: ARCIDI S. JUMAANI PORT MANAGER		3
						9



6 CROSS-SECTION PLAN "A"
Scale: 1:50 M

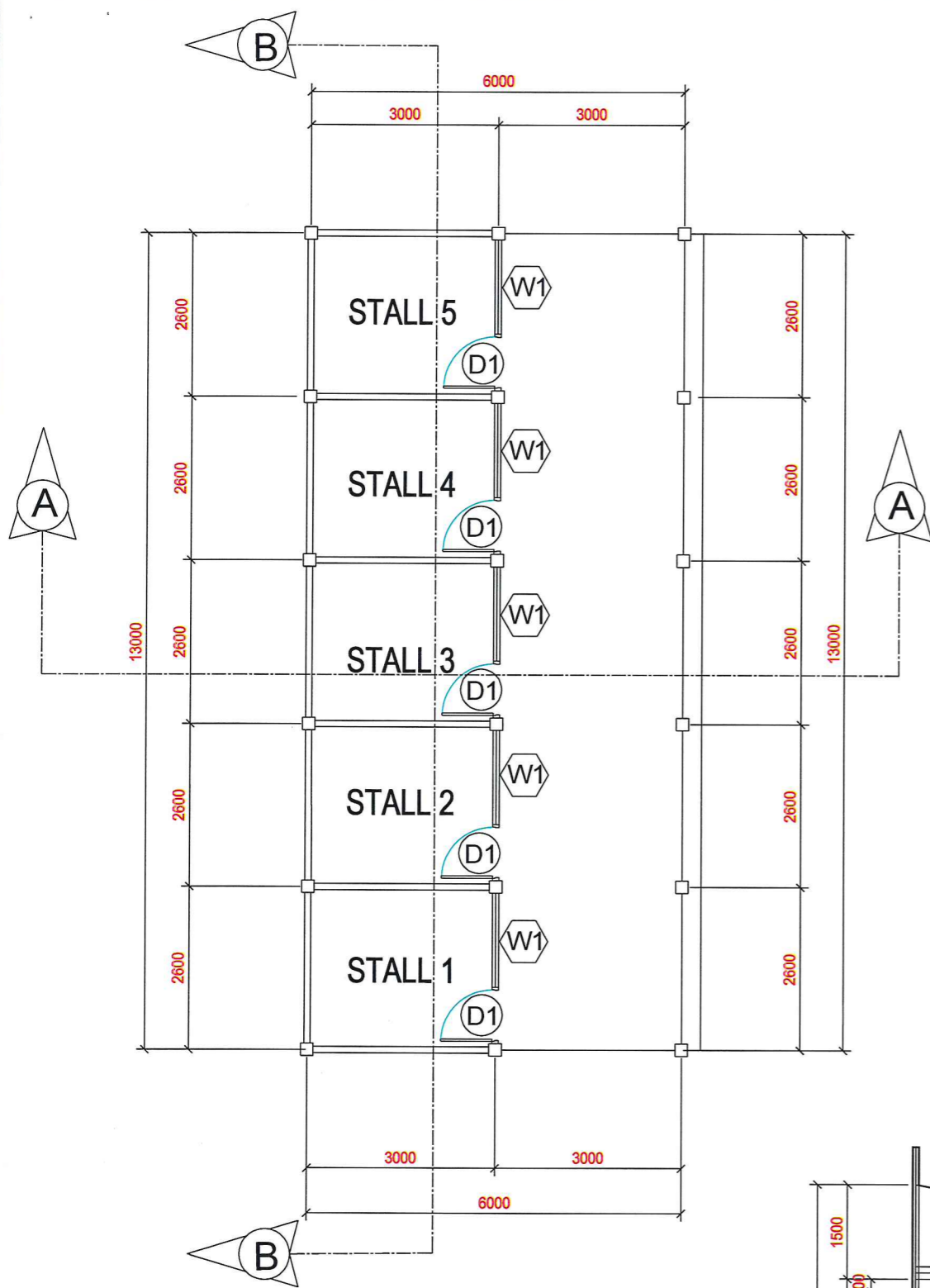


7 HALF TRUSS DETAIL OF PLAN "A"
Scale: 1:30 M

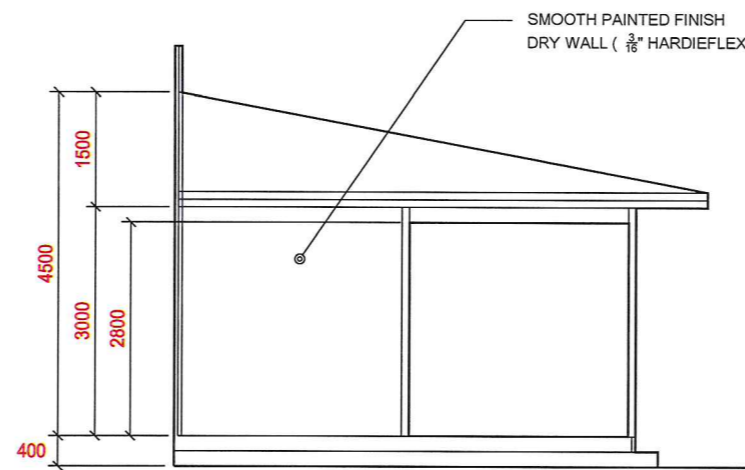
A-7 EXISTING DETAIL
SHT4 SCALE 1:100



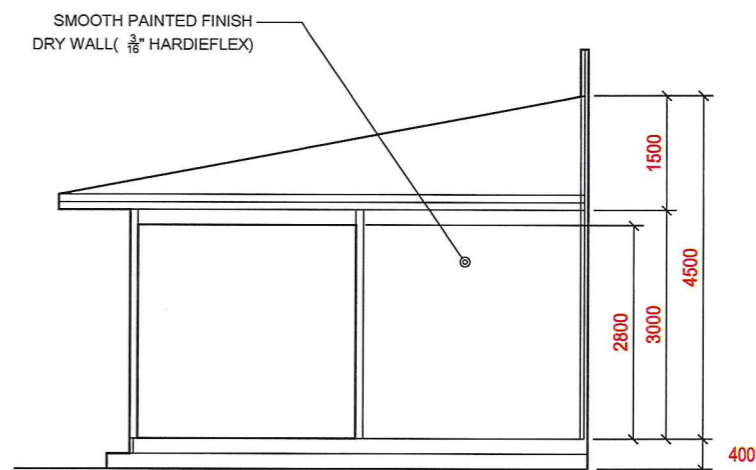
TITLE: IMPROVEMENT OF TINDAHAN (8-UNIT VENDOR STALLS) NI PAPS SA PANTALAN					SHEET CONTENT:	
LOCATION: HALFWAY HOUSE COMPOUND, PORT AREA, PORT OF ZAMBOANGA, ZAMBOANGA CITY					• EXISTING DETAIL	
PREPARED BY: EVENTISSA F. DELA MERCED ARCHITECT A	CHECKED BY: EUGENIO B. GALVEZ ACTING SUPERVISING ENGINEER A	REVIEWED BY: MAHSON S. UKKOH ACTING PRINCIPAL ENGINEER A	RECOMMENDED BY: TASHMA H. ASID-MAADIL ACTING ESD MANAGER	APPROVED BY: ARCIDI S. JUMAANI PORT MANAGER	SET	NO.
						4
						9



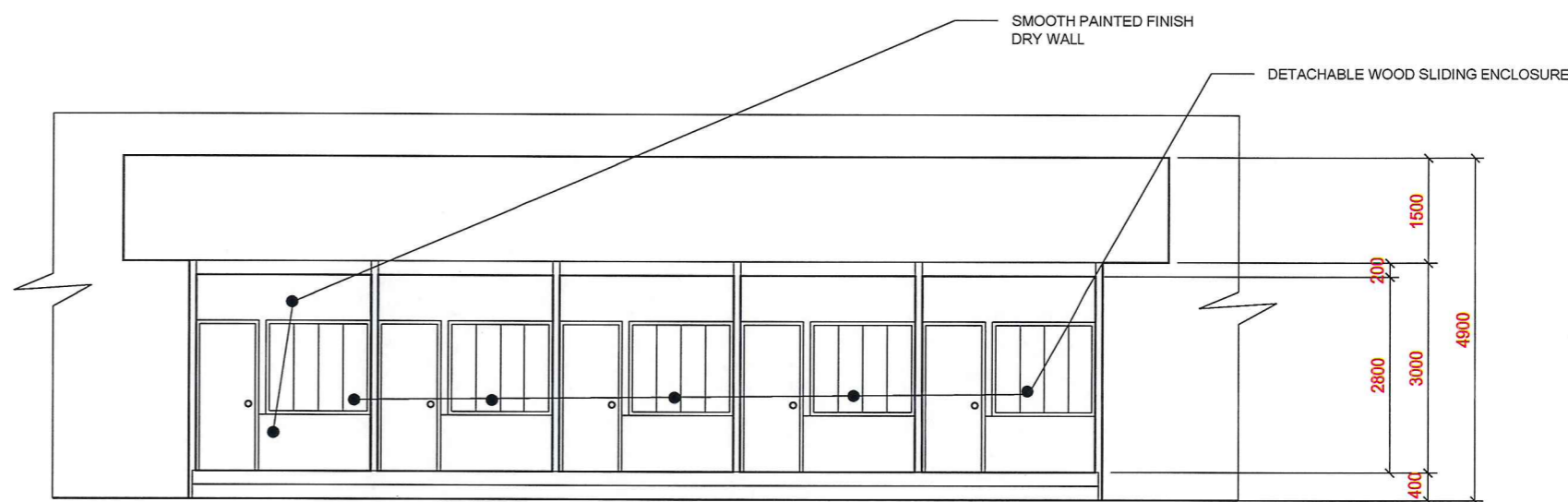
A-8 PROPOSED STALLS 1-5 FLOOR PLAN
SHT5 SCALE 1:100



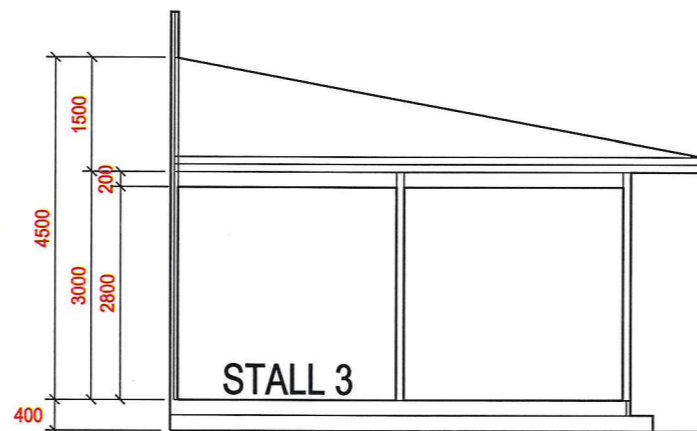
A-9 FRONT ELEVATION
SHT5 SCALE 1:100



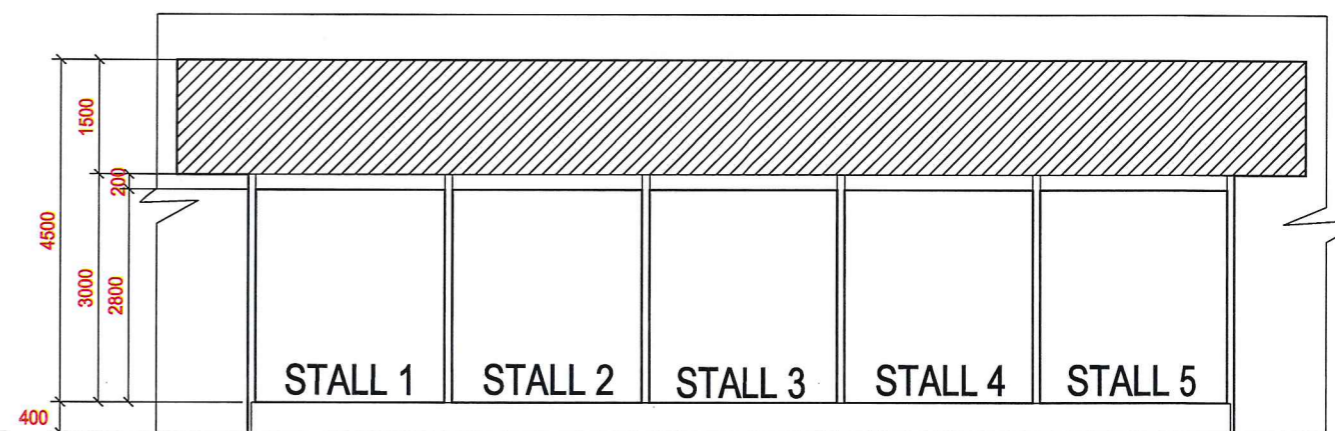
A-10 REAR ELEVATION
SHT5 SCALE 1:100



A-11 RIGHT-SIDE ELEVATION
SHT5 SCALE 1:100



A-12 SECTION THRU A-A
SHT5 SCALE 1:100



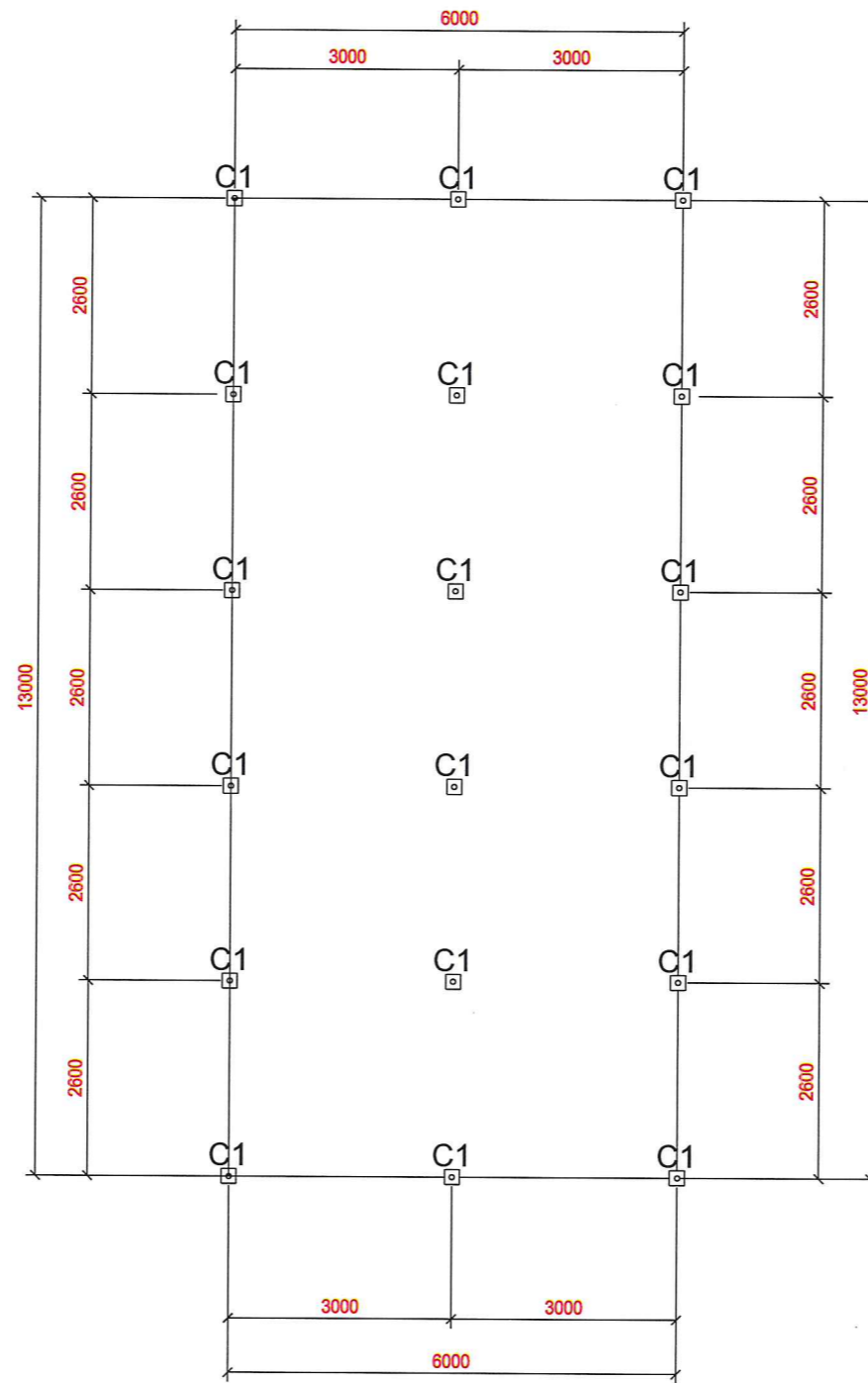
A-13 SECTION THRU B-B
SHT5 SCALE 1:100



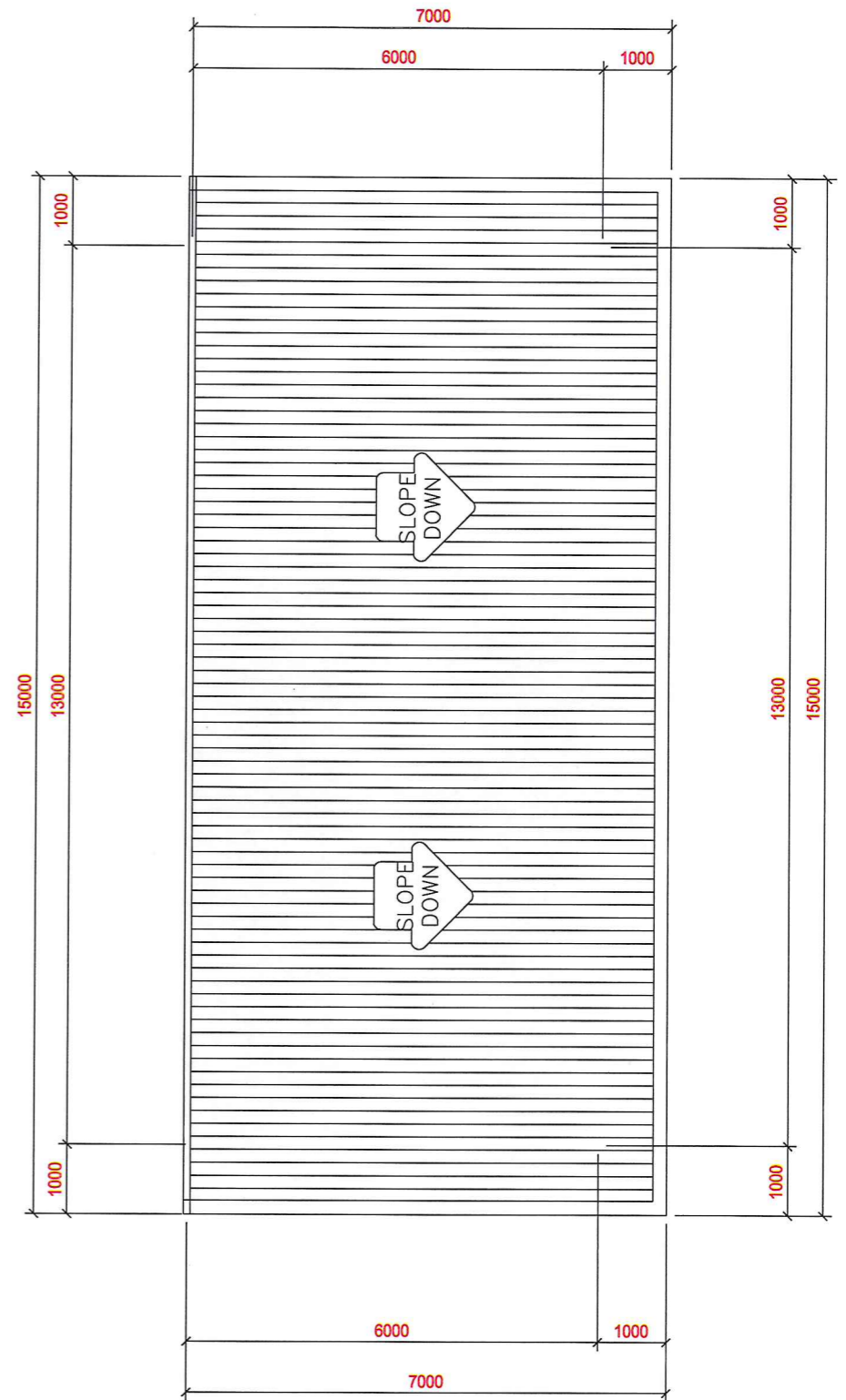
TITLE: IMPROVEMENT OF TINDAHAN (8-UNIT VENDOR STALLS) NI PAPS SA PANTALAN					SHEET CONTENT:		SHEET	
LOCATION: HALEWAY HOUSE COMPOUND, PORT AREA, PORT OF ZAMBOANGA, ZAMBOANGA CITY					<ul style="list-style-type: none"> FLOOR PLAN ELEVATIONS SECTIONS 		SET	NO.
PREPARED BY: EVENISSA F. DELA MERCED ARCHITECT A	CHECKED BY: EUGENIO B. GALVEZ ACTING SUPERVISING ENGINEER A	REVIEWED BY: MAHSON S. UKKOH ACTING PRINCIPAL ENGINEER A	RECOMMENDED BY: TASHMA H. ASID-MAADIL ACTING ESD MANAGER	APPROVED BY: ARCIDI S. JUMAANI PORT MANAGER				5
								9

FIN. FLR. LN.	D1	W1
DESIGNATION.	D1	W1
NO. OF SETS	5 SETS	5 SETS
LOCATION	STALLS	STALLS
DESCRIPTION	FLUSH WOOD DOOR	DETACHABLE SLIDING WOOD ENCLOSURE

A-14 SCHEDULE OF DOORS & WINDOWS
SHT6 SCALE 1:50



S-1 STRUCTURAL PLAN
SHT6 SCALE 1:100



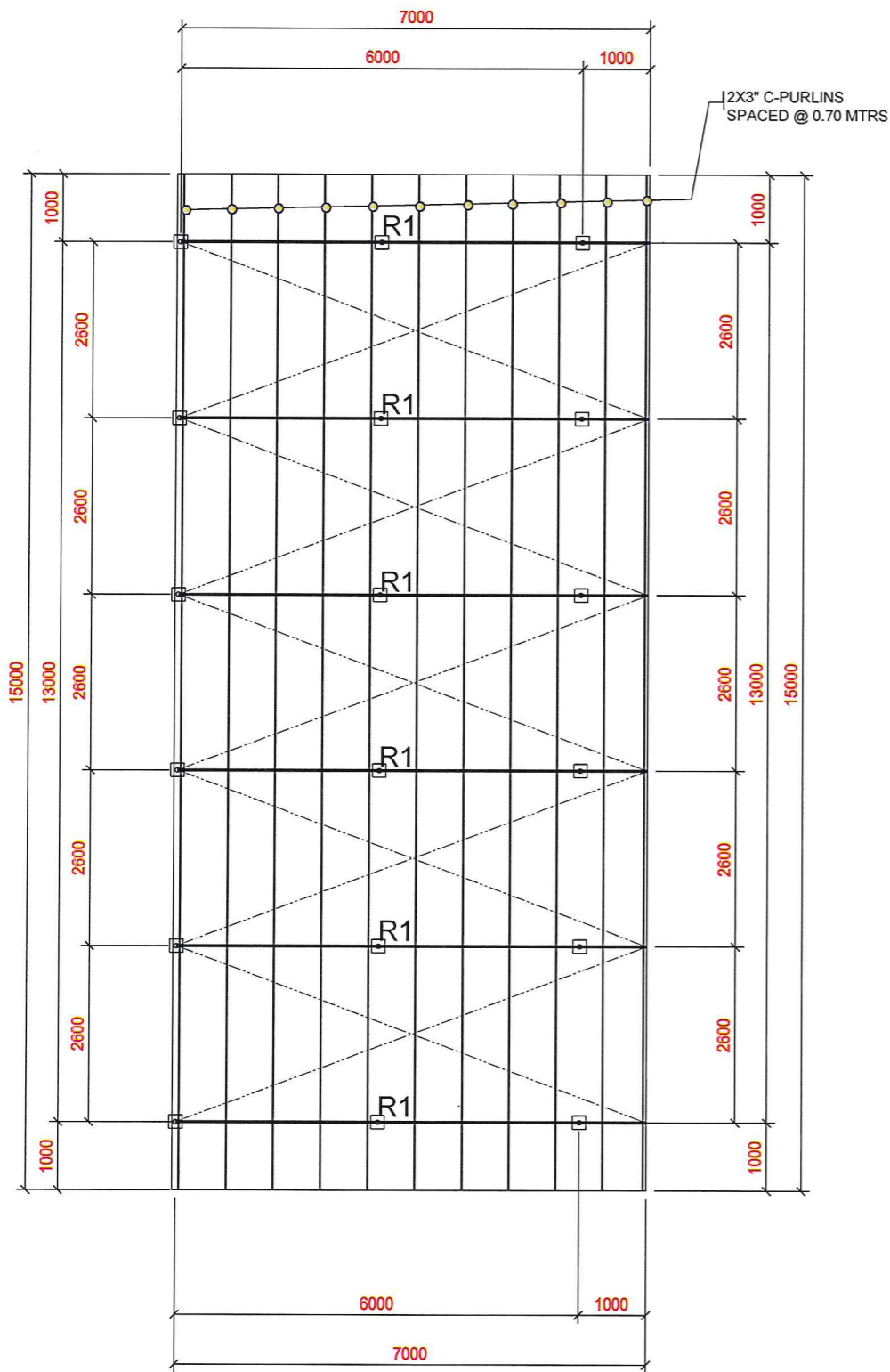
S-2 ROOF PLAN
SHT6 SCALE 1:100



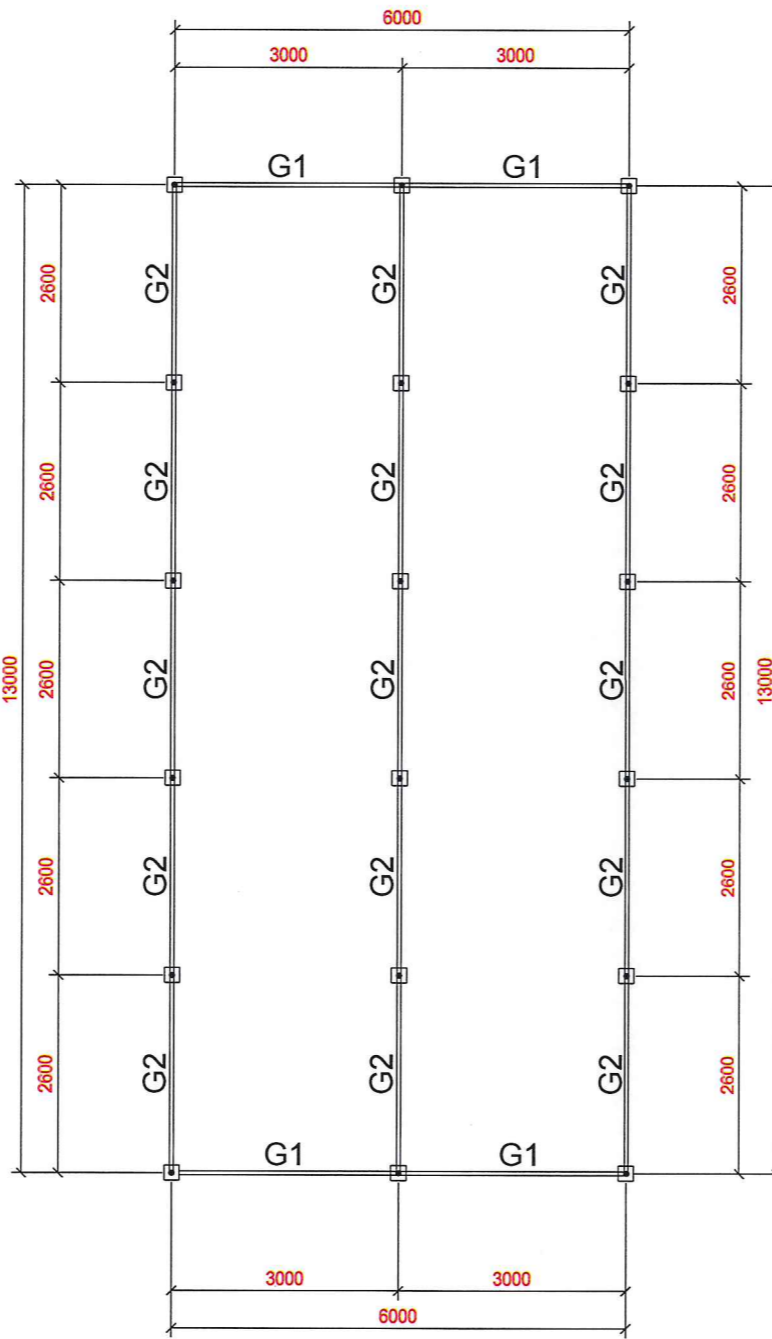
TITLE:	IMPROVEMENT OF TINDAHAN (8-UNIT VENDOR STALLS) NY PAPS SA PANTALAN				
LOCATION:	HALFWAY HOUSE COMPOUND, PORT AREA, PORT OF ZAMBOANGA, ZAMBOANGA CITY				
PREPARED BY:	CHECKED BY:	REVIEWED BY:	RECOMMENDED BY:	APPROVED BY:	
EVENISSA F. DELA MERCED	EUGENIO B. GALVEZ	MAHSON S. UKKOH	TASHMA H. ASID-MAADIL	ARCIDI S. JUMAANI	
ARCHITECT A	ACTING SUPERVISING ENGINEER A	ACTING PRINCIPAL ENGINEER A	ACTING ESD MANAGER	PORT MANAGER	

SHEET CONTENT:
• SCHEDULE OF DOORS & WINDOWS
• STRUCTURAL PLAN
• ROOF PLAN

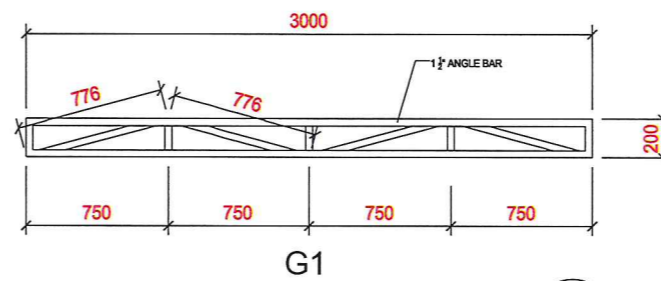
SHEET	
SET	NO.
	6
	9



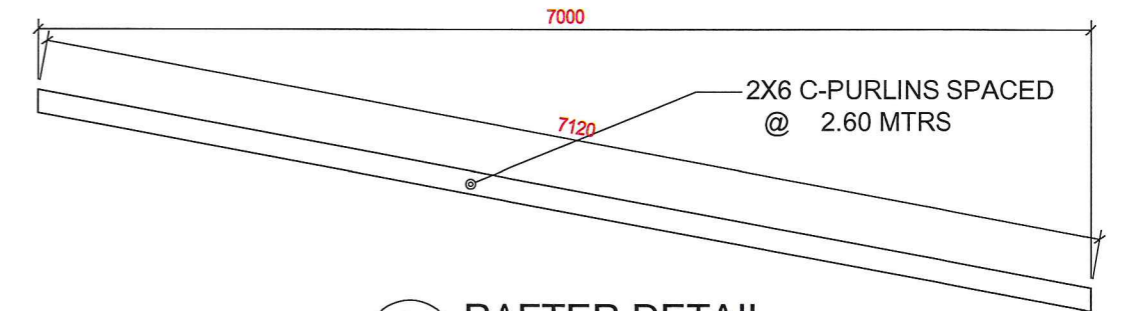
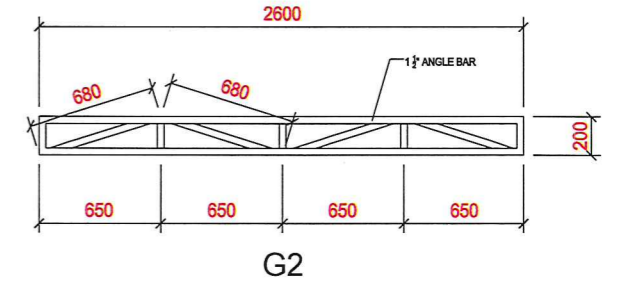
S-3 ROOF FRAMING LAYOUT
SHT7 SCALE 1:100



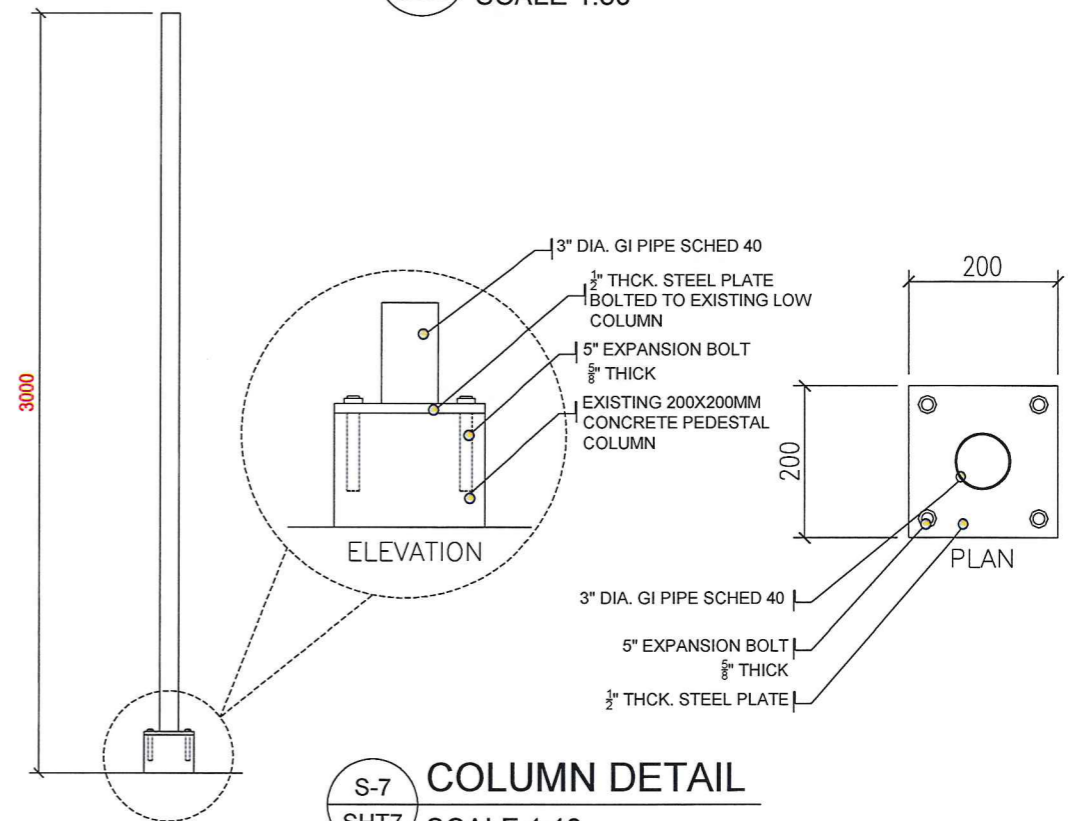
S-4 ROOF BEAM LAYOUT
SHT7 SCALE 1:100



S-5 GIRTH DETAIL
SHT7 SCALE 1:40



S-6 RAFTER DETAIL
SHT7 SCALE 1:50



S-7 COLUMN DETAIL
SHT7 SCALE 1:10

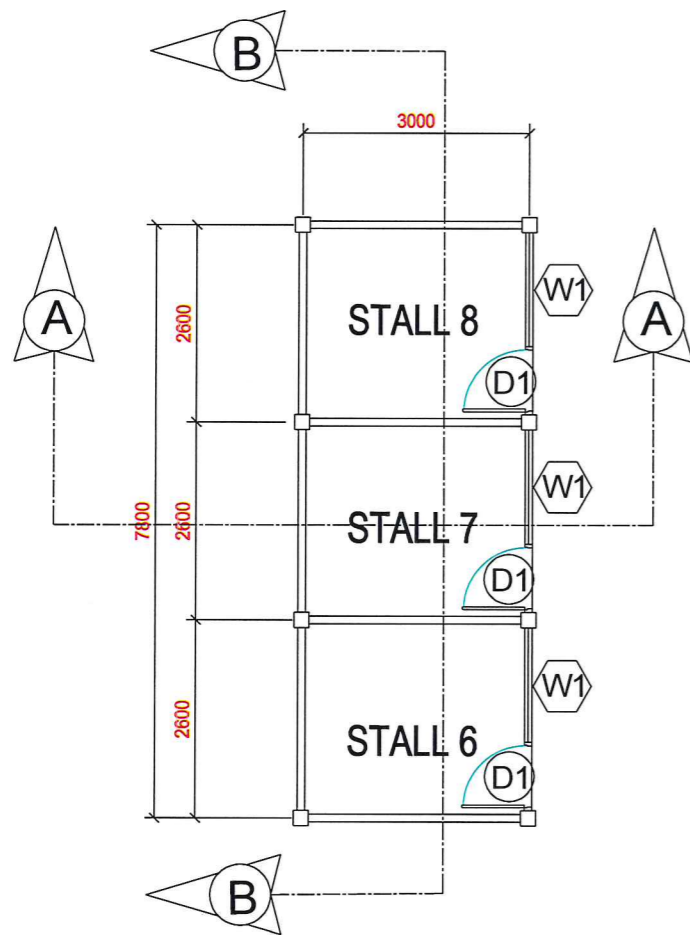
TITLE: IMPROVEMENT OF TINDAHAN (8-UNIT VENDOR STALLS) NI PAPS SA PANTALAN					
LOCATION: HALFWAY HOUSE COMPOUND, PORT AREA, PORT OF ZAMBOANGA, ZAMBOANGA CITY					
PREPARED BY: EVENISSA F. DELA MERCED ARCHITECT A	CHECKED BY: EUGENIO B. GALVEZ ACTING SUPERVISING ENGINEER A	REVIEWED BY: MAHSON S. UKKOH ACTING PRINCIPAL ENGINEER A	RECOMMENDED BY: TASHMA H. ASID-MAADIL ACTING ESD MANAGER	APPROVED BY: ARCIDI S. JUMAANI PORT MANAGER	

SHEET CONTENT:	
• ROOF FRAMING LAYOUT	
• ROOF BEAM LAYOUT	
• GIRTH DETAIL	
• RAFTER DETAIL	
• COLUMN DETAIL	

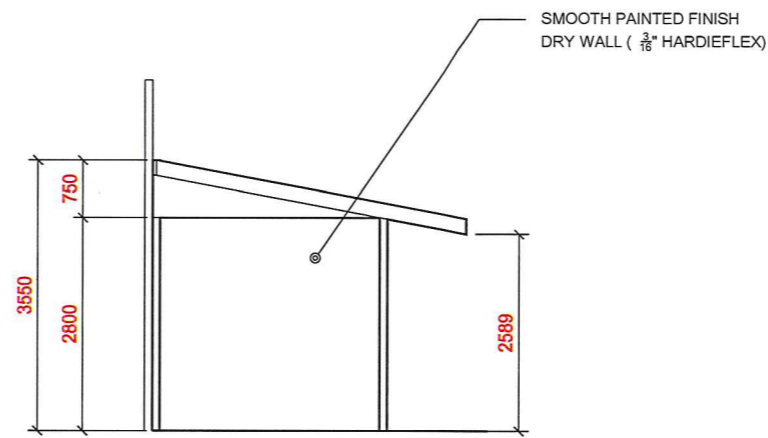
SHEET	
SET	NO.
	7
	9

FIN. FLR. LN.		
DESIGNATION.	D1	W1
NO. OF SETS	5 SETS	5 SETS
LOCATION	STALLS	STALLS
DESCRIPTION	FLUSH WOOD DOOR	DETACHABLE SLIDING WOOD ENCLOSURE

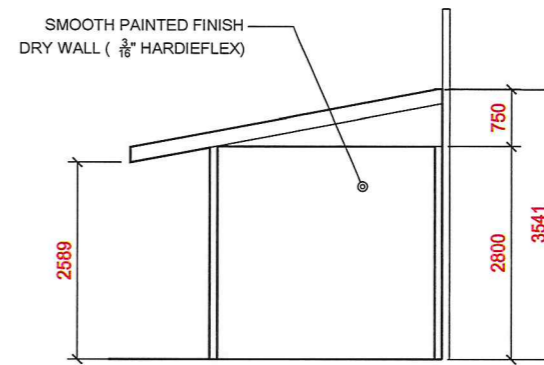
A-15 SCHEDULE OF DOORS & WINDOWS
SHT8 SCALE 1:50



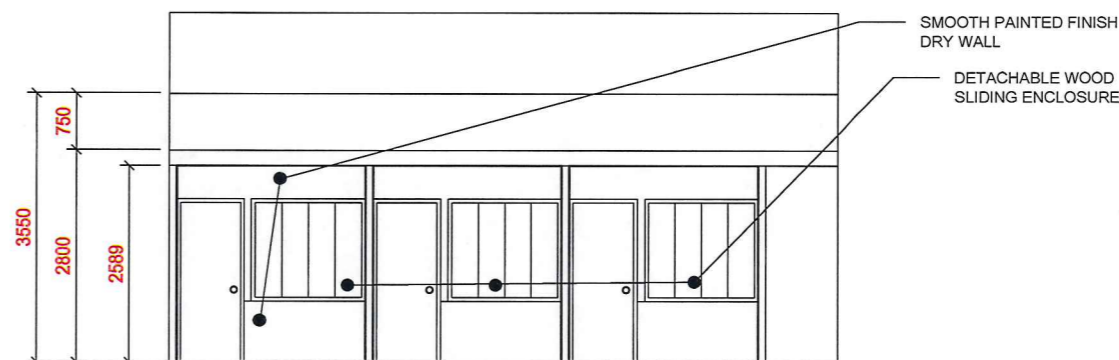
A-15 PROPOSED STALLS 6-8 FLOOR PLAN
SHT8 SCALE 1:100



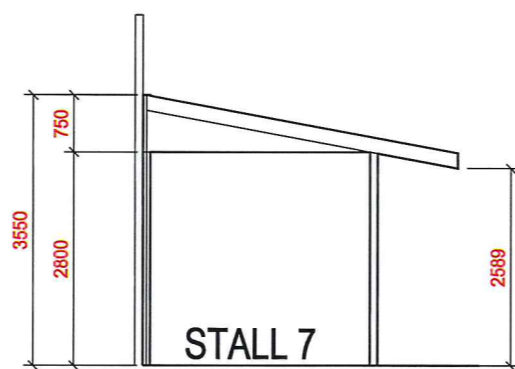
A-16 FRONT ELEVATION
SHT8 SCALE 1:100



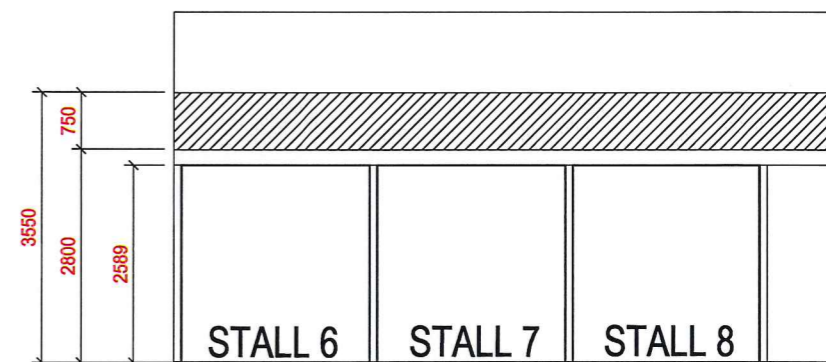
A-17 REAR ELEVATION
SHT8 SCALE 1:100



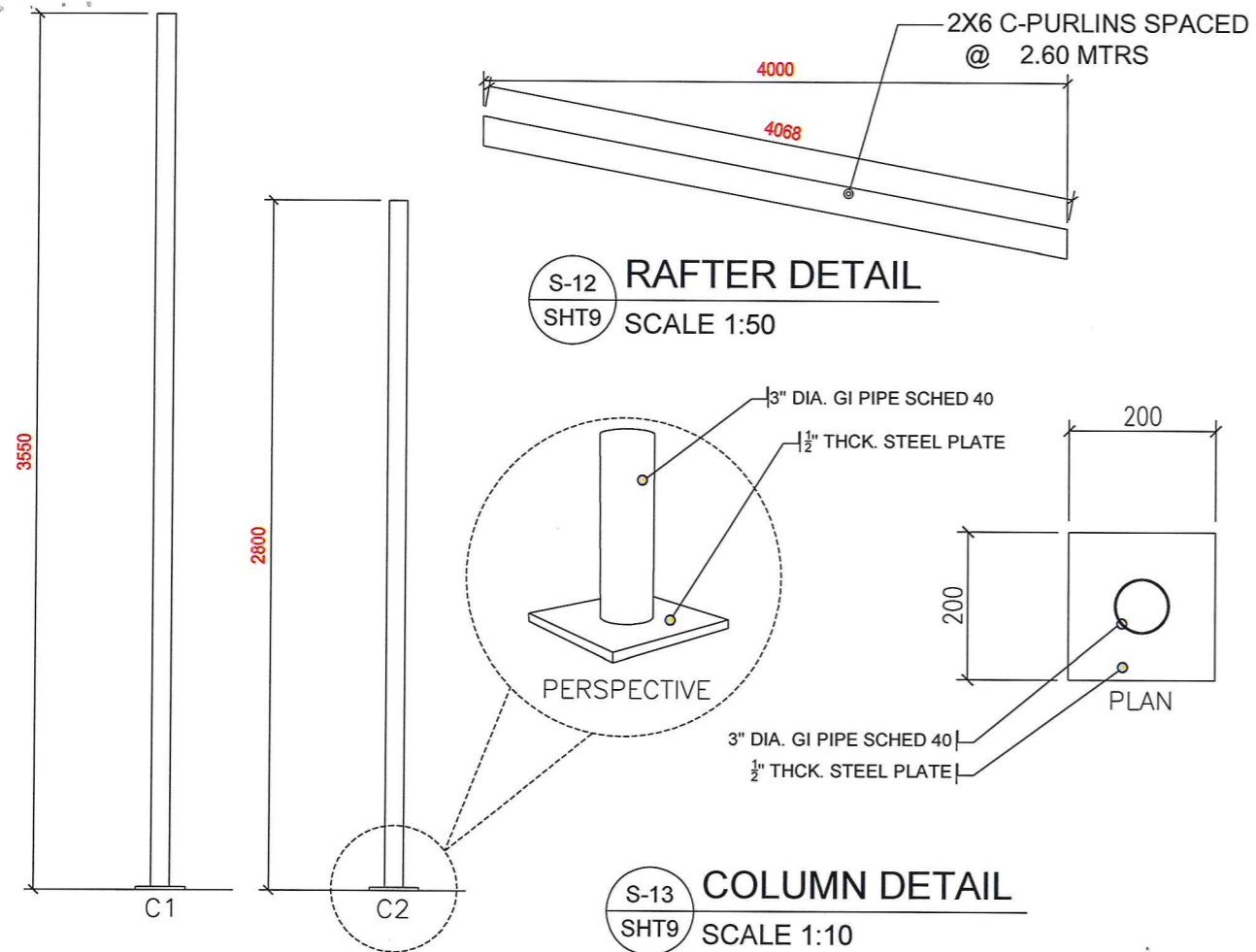
A-18 RIGHT-SIDE ELEVATION
SHT8 SCALE 1:100



A-19 SECTION THRU A-A
SHT8 SCALE 1:100

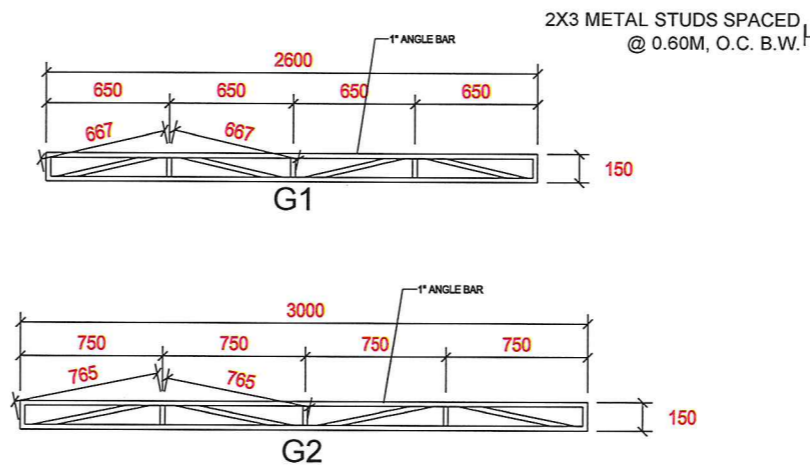


A-20 SECTION THRU B-B
SHT8 SCALE 1:100

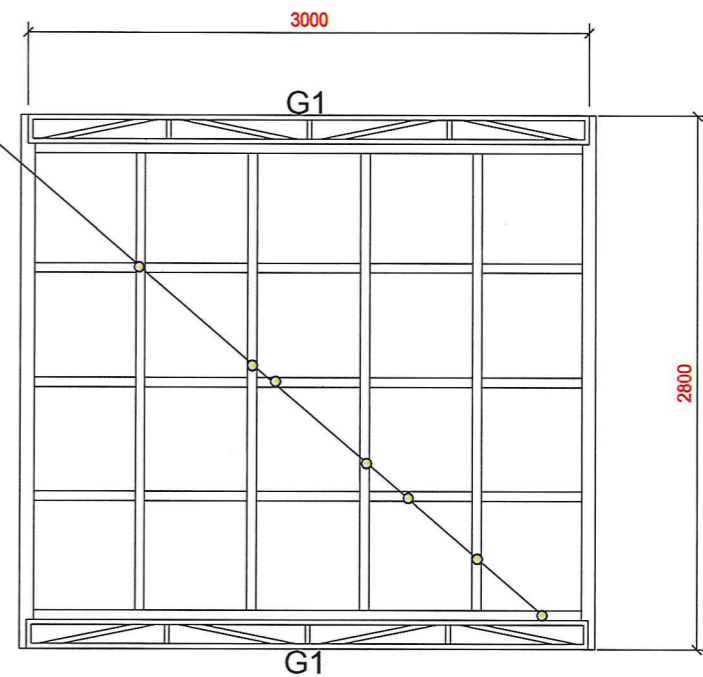


S-12 RAFTER DETAIL
SHT9 SCALE 1:50

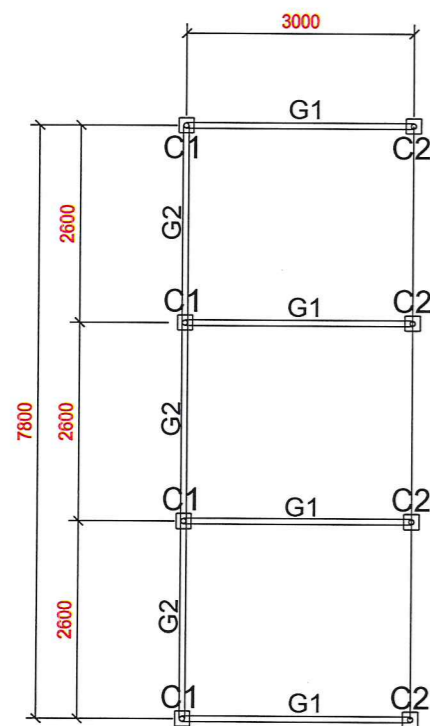
S-13 COLUMN DETAIL
SHT9 SCALE 1:10



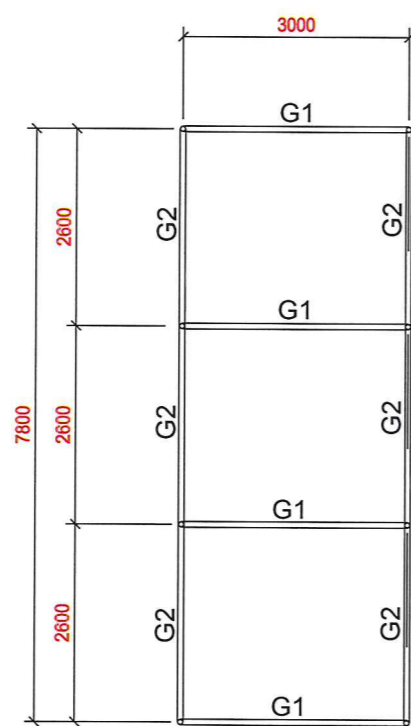
S-14 GIRTH DETAIL
SHT9 SCALE 1:40



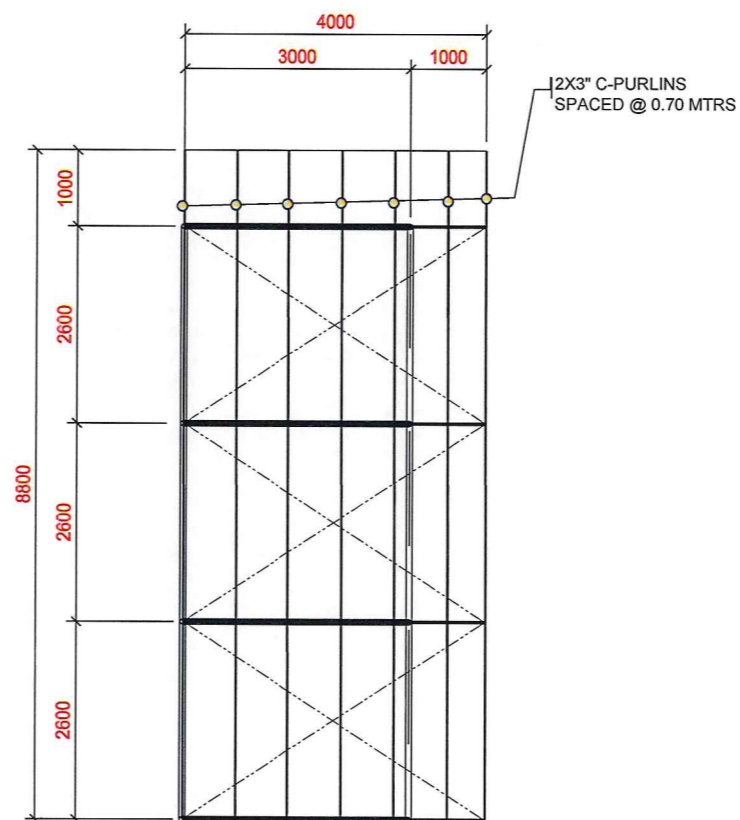
S-15 WALL FRAMING LAYOUT
SHT9 SCALE 1:40



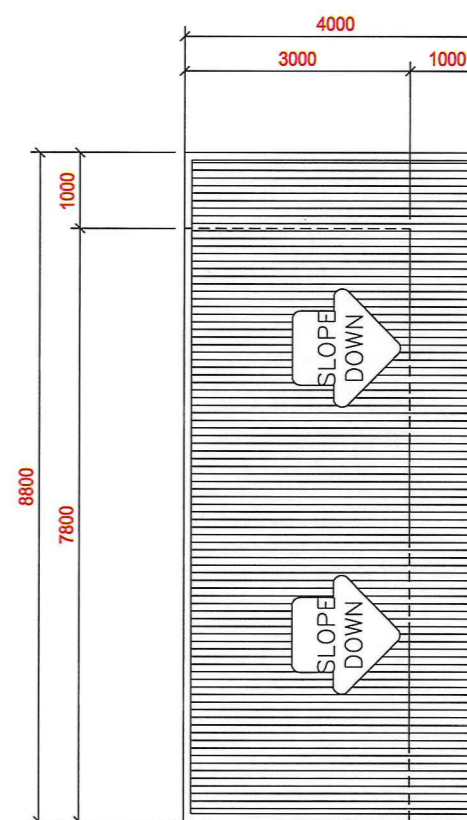
S-8 FLOOR FRAMING PLAN
SHT9 SCALE 1:100



S-9 ROOF BEAM LAYOUT
SHT9 SCALE 1:100



S-10 ROOF FRAMING LAYOUT
SHT9 SCALE 1:100



S-11 ROOF PLAN
SHT9 SCALE 1:100

TITLE: IMPROVEMENT OF TINDAHAN (8-UNIT VENDOR STALLS) NIPAPS SA PANTALAN		LOCATION: HALFWAY HOUSE COMPOUND, PORT AREA, PORT OF ZAMBOANGA, ZAMBOANGA CITY		
PREPARED BY: EVENISSA F. DELA MERCED ARCHITECT A	CHECKED BY: EUGENIO B. GALVEZ ACTING SUPERVISING ENGINEER A	REVIEWED BY: MAHSON S. UJKOH ACTING PRINCIPAL ENGINEER A	RECOMMENDED BY: TASHMA H. ASID-MAADIL ACTING ESD MANAGER	APPROVED BY: ARCIDI S. JUMAANI PORT MANAGER

SHEET CONTENT:	
<ul style="list-style-type: none"> FLOOR FRAMING PLAN ROOF FRAMING LAYOUT ROOF BEAM LAYOUT ROOF PLAN GIRTH DETAIL RAFTER DETAIL 	<ul style="list-style-type: none"> COLUMN DETAIL WALL FRAMING LAYOUT

SHEET SET NO.	
	9
	9