



**REQUEST FOR QUOTATION  
(SMALL VALUE PROCUREMENT)**

The Philippine Ports Authority, PMO – Zamboanga, Bids and Awards Committee for Engineering Projects now invites suppliers/contractors to submit price quotations for the **Supply of materials, labor and equipment for the repair, improvement and demolition of CHB Wall, Steel Matting Fence/Barriers and Covered Walkshed at Roro Bay 3 & Truck Holding Area, Port of Zamboanga, Zamboanga City.**

Bids/Quotations received in excess of the ABC (Php999,577.94) shall be automatically rejected at Bid opening.

Procurement will be conducted in consonance with Section 53.9 (Small Value Procurement) of the Revised Implementing Rules and Regulations Part A (IRR-A) of Republic Act 9184 (R.A. 9184), otherwise known as the "Government Procurement Reform Act". Only sealed bids/Quotations from **eligible bidders** will be opened and a contract will only be awarded to the Lowest Calculated Responsive Quotation.

The Opening of Sealed Quotation Envelopes shall be at 10:00 AM, July 27, 2020, Conference Room, 2<sup>nd</sup> Floor PPA Administration Building, Port Area, Zamboanga City.

The PPA, PMO-Zamboanga reserves the right to reject any and all bids, declare a failure of bidding, or not award the contract at any time prior to contract award in accordance with Section 41 of RA 9184 and its IRR, without thereby incurring any liability to the affected bidder or bidders.

For further information, please refer to:

The TWG/Secretariat, PMO-ZAMBOANGA-BAC  
PPA, PMO-Zamboanga, Port Area, Zamboanga City 7000  
Tel Nos. (062) 991-2037, (062) 991-0650; Fax No. (062) 991-2360

**ARTHUR B. NOGAS**  
BAC Chairperson  
PPA, PMO-Zamboanga, Port Area, Zamboanga City 7000

PPA website: [www.ppa.com.ph](http://www.ppa.com.ph)  
PhilGEPS Website: [www.philgeps.net](http://www.philgeps.net)  
Date of Publication: July 20-27, 2020

Project No. : RM-01-2020  
Encl.: Canvass Form, Approved Agency Estimate, & Plans



**APPROVED AGENCY ESTIMATES**

**Project:** Repair, Improvement and Demolition of CHB Wall, Steel Matting Fence/Barriers and Covered Walk Shed at RORO Bay 3 & Truck Holding Area

**Location:** Port of Zamboanga, PMO-Zamboanga, Zamboanga City

**Owner:** Base Port, PMO - Zamboanga

**Subject:** Supply of materials, labor and equipment for the repair, improvement and demolition of CHB Wall, Steel Matting Fence/Barriers and Covered Walkshed at Roro Bay 3 & Truck Holding Area, Port of Zamboanga, Zamboanga City

Item	Description	Unit	Qty.	Unit Cost	Amount
<b>Repair, Improvement and Demolition of CHB Wall, Steel Matting Fence/Barriers and Covered Walk Shed at RORO Bay 3 &amp; Truck Holding Area</b>					
	Movable Panel Fence: Materials: (2") 50.8mm Ø X 6.0m G.I. Sched. 40 Pipe 25mm X 25mm X 6.0m X 6.35mm Thk. Flat Bar No. 4 (5.5mm) X 4' X 8' Steel Matting 2 1/2" Heavy Duty Swivel Roller Caster Welding Rod Oxygen Acetylene Red Oxide Primer Enamel Paint Paint Thinner Consumables (5% of the Material Cost); Paint Brush and Others	Units	50		
X X X Nothing Follows X X X					
A	MATERIAL COST				
B	LABOR COST				
C	EQUIPMENT COST				
D	DIRECT COST; [(A) + (B) + (C)]				
E	OCM [Up to 15% OF (D)]				
F	PROFIT [Up to 10% OF (D)]				
G	5% VAT OF [(D)+(E)+(F)]				
H	TOTAL PROJECT COST; [(D) + (E) + (F) + (G)]				<u>≤Php999,577.94</u>

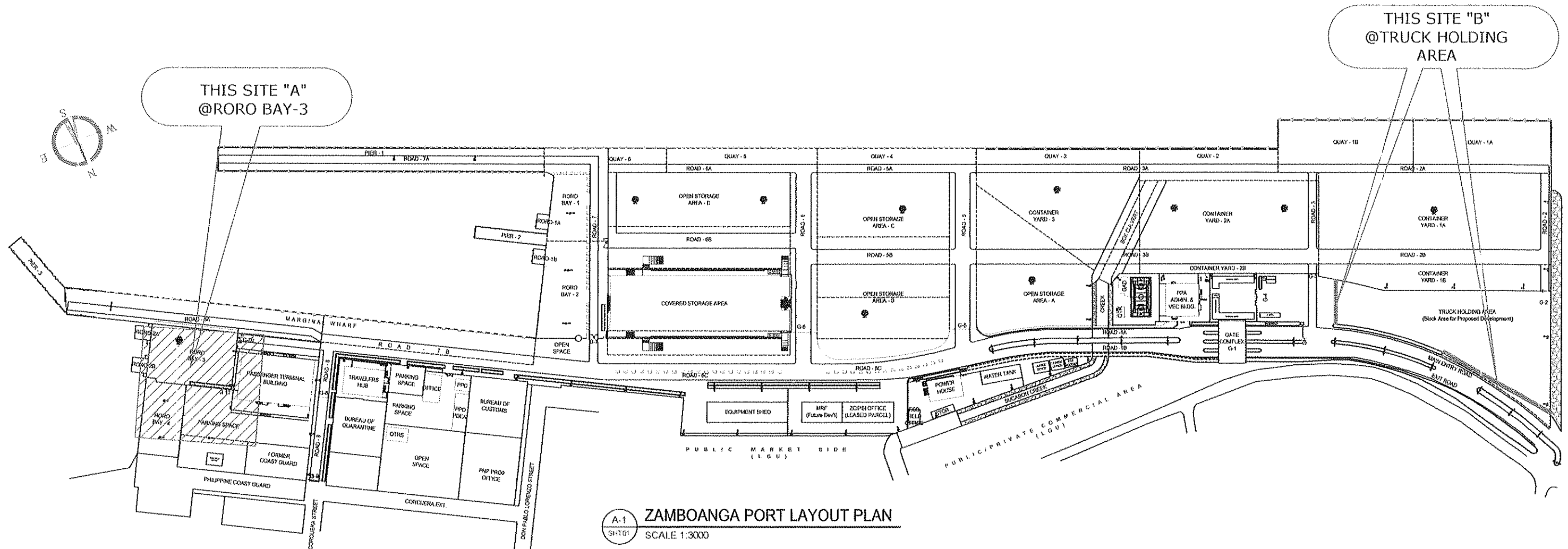
**PORT MANAGEMENT OFFICE - ZAMBOANGA**

R.T. Lim Boulevard, Zamboanga City 7000, Philippines

PO Box No. 360 Tel. Nos. (062) 991-2037 to 2039; 991-0650 TeleFax (062) 991-2360;

Email : [ppa.pmozamboanga@gmail.com](mailto:ppa.pmozamboanga@gmail.com) / [pmozamboanga@ppa.com.ph](mailto:pmozamboanga@ppa.com.ph) website: [www.ppa.com.ph](http://www.ppa.com.ph)



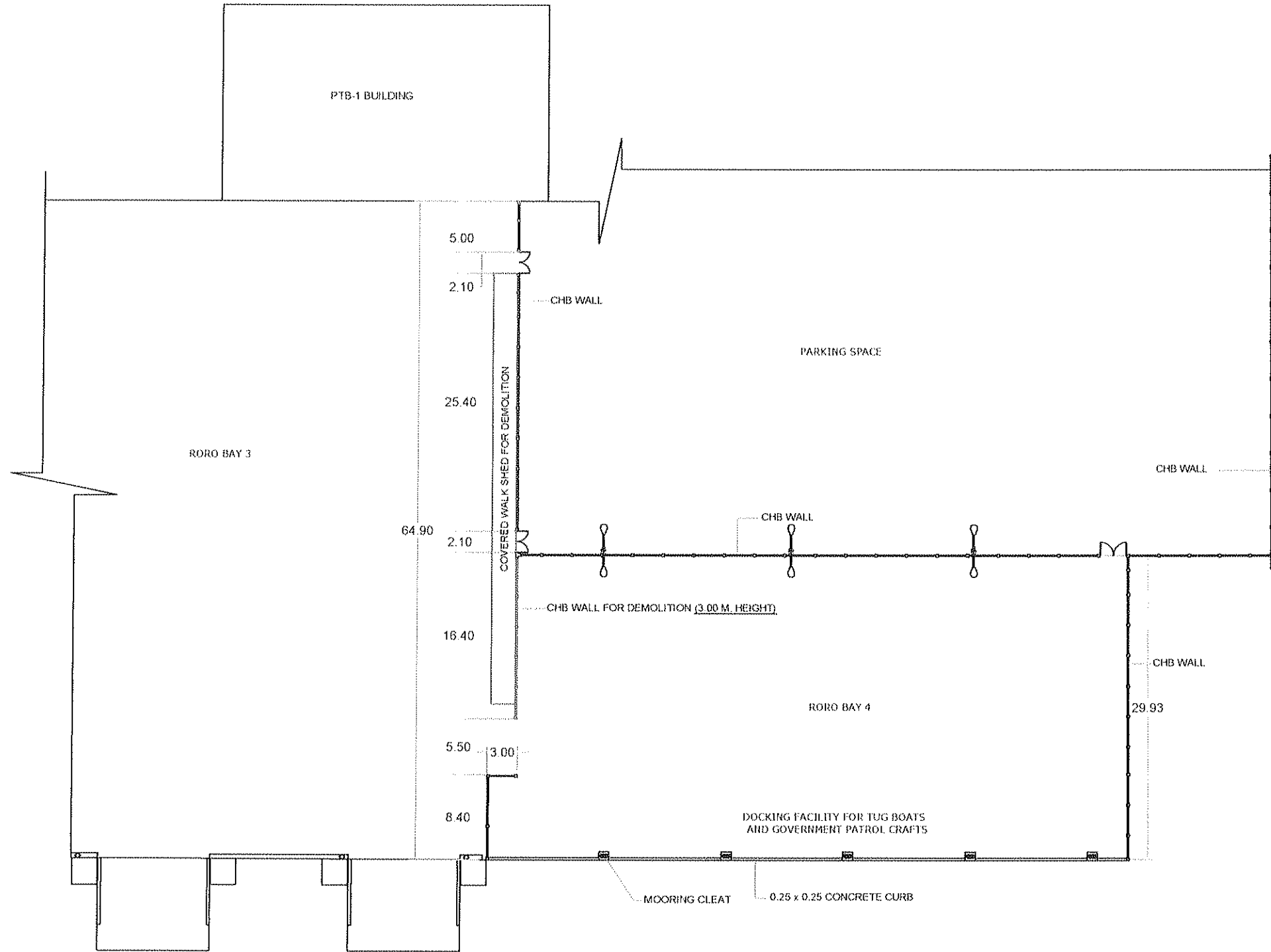


THIS SITE "A"  
@RORO BAY-3

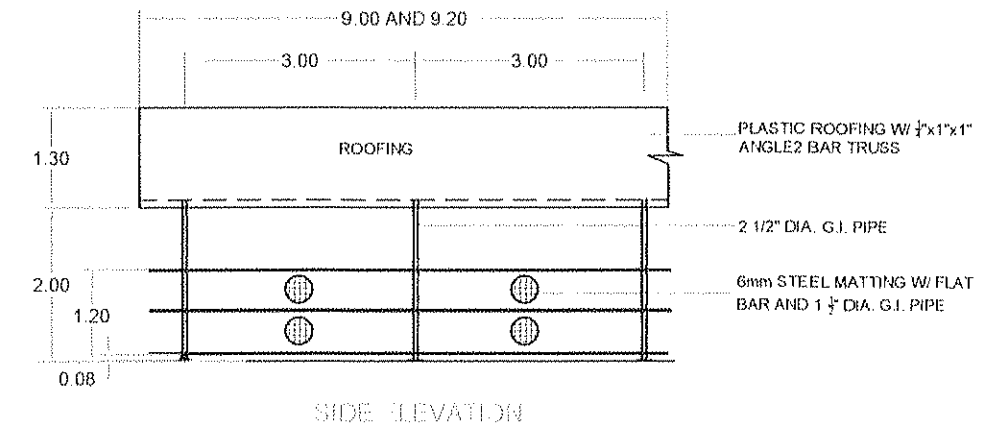
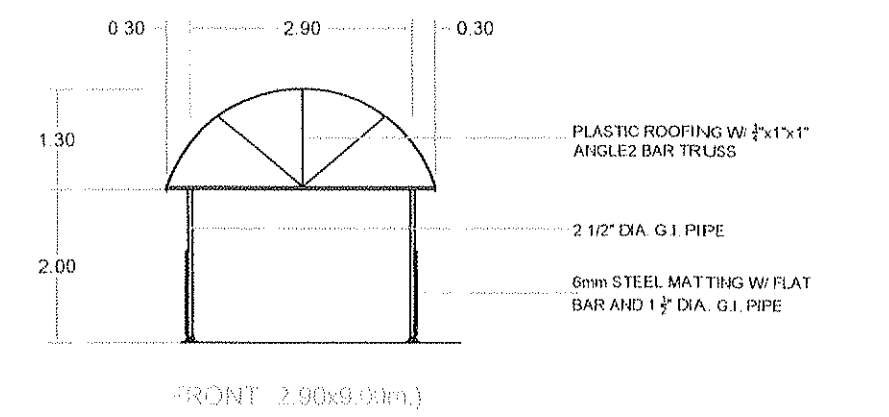
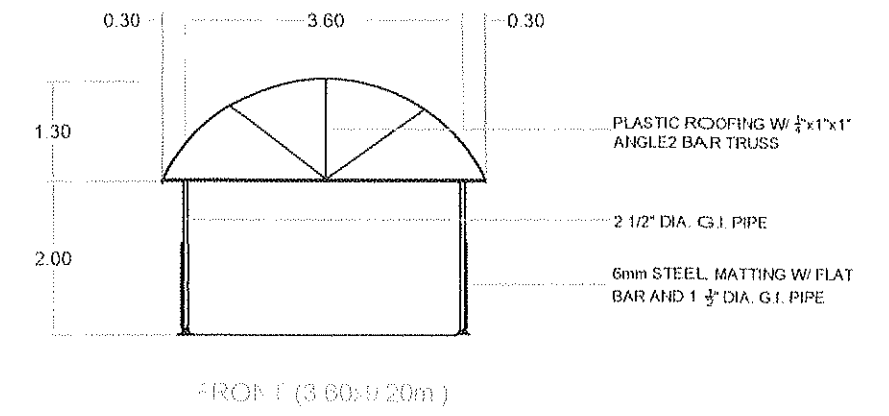
THIS SITE "B"  
@TRUCK HOLDING  
AREA

A-1 ZAMBOANGA PORT LAYOUT PLAN  
SHT 01 SCALE 1:3000

TITLE: REPAIR, IMPROVEMENT AND DEMOLITION OF CHB WALL, STEEL MATTING FENCE/BARRIERS AND COVERED WALK SHED @RORO BAY-3 & TRUCK HOLDING AREA, PORT OF ZAMBOANGA	PREPARED BY:  EUGENIO B. GALVEZ SENIOR ENGINEER A	CHECKED BY:  MAHSON S. UKKO SUPERVISING ENGINEER A	REVIEWED BY:  TASHMA H. ASID-MADIL PRINCIPAL ENGINEER A	RECOMMENDING APPROVAL:  JOHNSON D. KHO ESD MANAGER	APPROVED BY:  ARCELUS JUMAANI PORT MANAGER	SHT NO 1/3
---	--	---	--	---	---	---------------

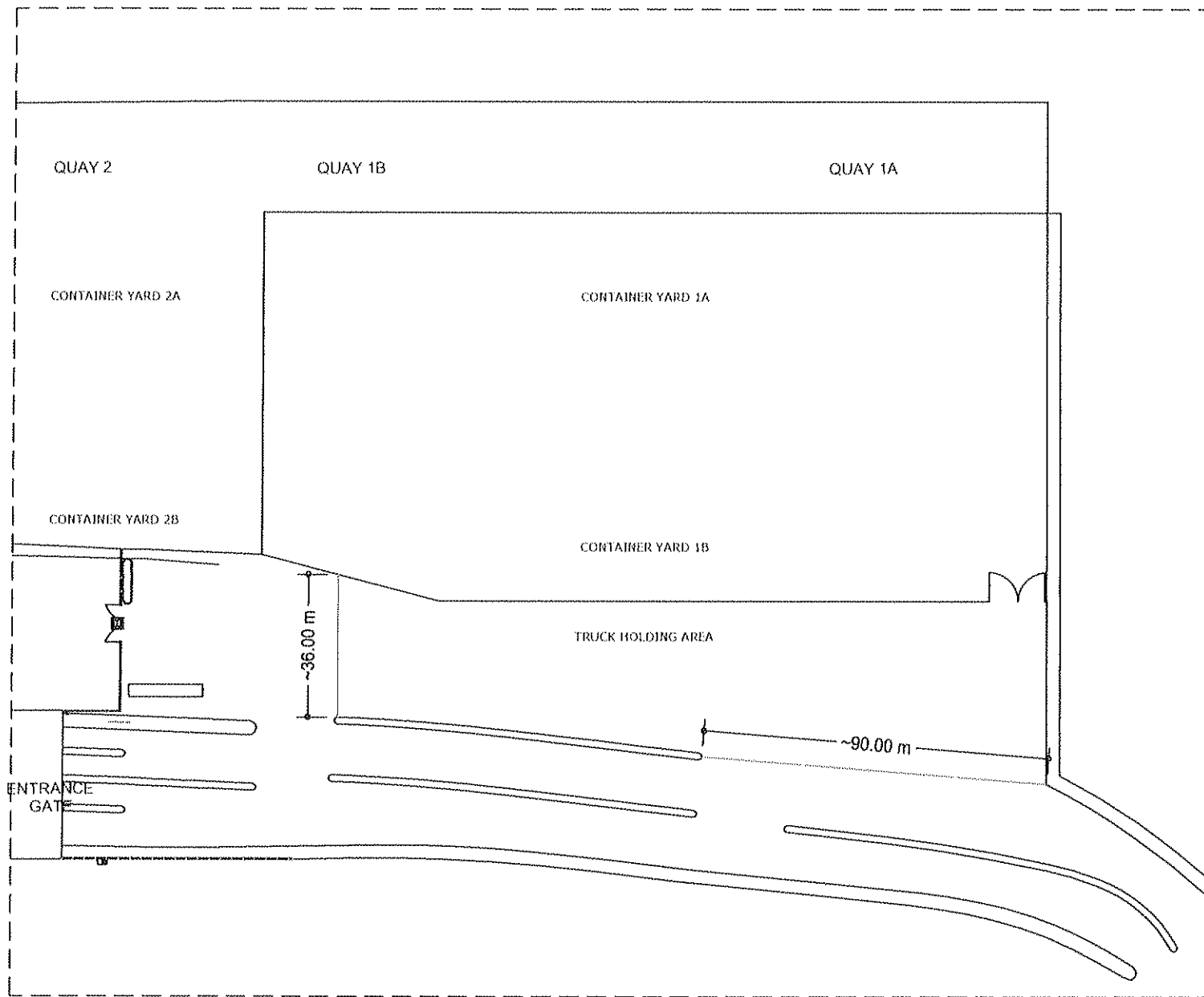


**A** BLOW-UP PLAN OF PROPOSED DEMOLITION OF CHB WALL & COVERED WALK SHED "A"  
Scale: 1:300m

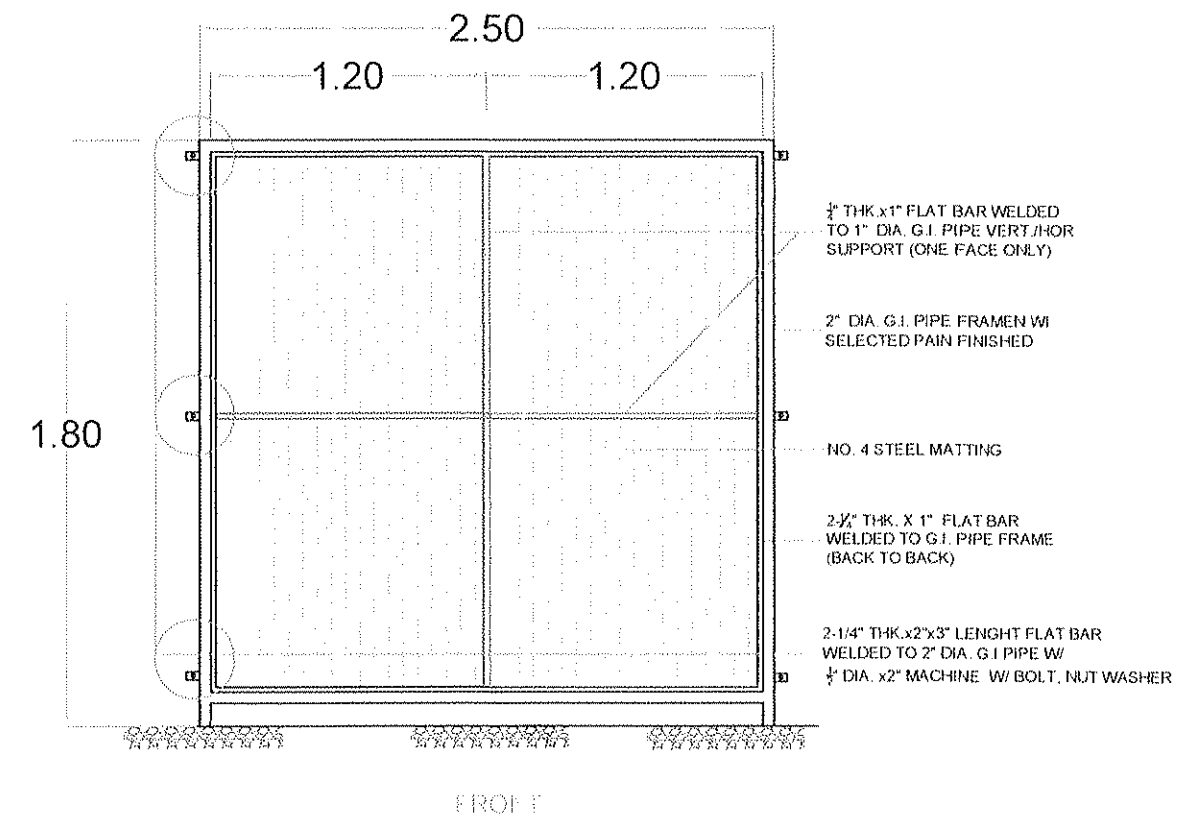
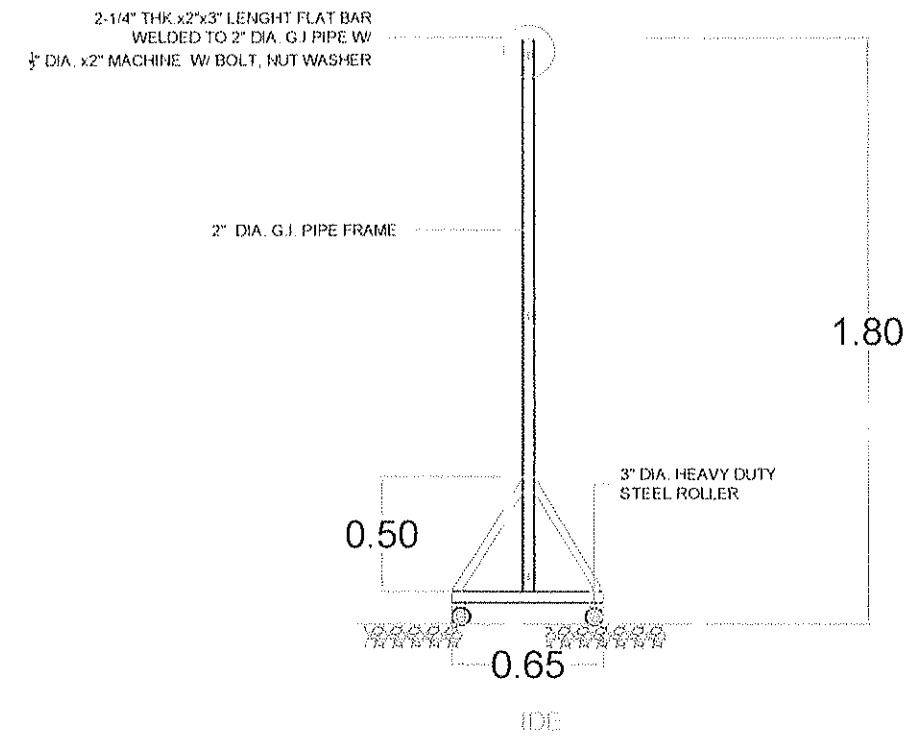


**A** TYPICAL DETAIL OF COVERED WALK SHED  
Scale: 1:300m





1 BLOWUP SITE LOCATION PLAN 'B'



A TYPICAL DETAIL OF G.I. PIPE/STEEL MATTING BARRIERS

Scale: 1:20m.

PHILIPPINE AUTHORITY  
PMO ZAMBOANGA  
JUNE 2020



TITLE:  
REPAIR, IMPROVEMENT AND DEMOLITION OF CHB WALL, STEEL MATTING FENCE/BARRIERS AND COVERED WALK SHED @RORO BAY-3 & TRUCK HOLDING AREA, PORT OF ZAMBOANGA

PREPARED BY:  
EUGENIO B. GALVEZ  
SENIOR ENGINEER A

CHECKED BY:  
MAHSON S. UKKOH  
SUPERVISING ENGINEER A

REVIEWED BY:  
TASHMA H. ASID-MADIL  
PRINCIPAL ENGINEER A

RECOMMENDING APPROVAL:  
JOHNSON D. KJHO  
ESD MANAGER

APPROVED BY:  
ARCIDI S. JUMAANI  
PORT MANAGER

SHT NO  
3/3